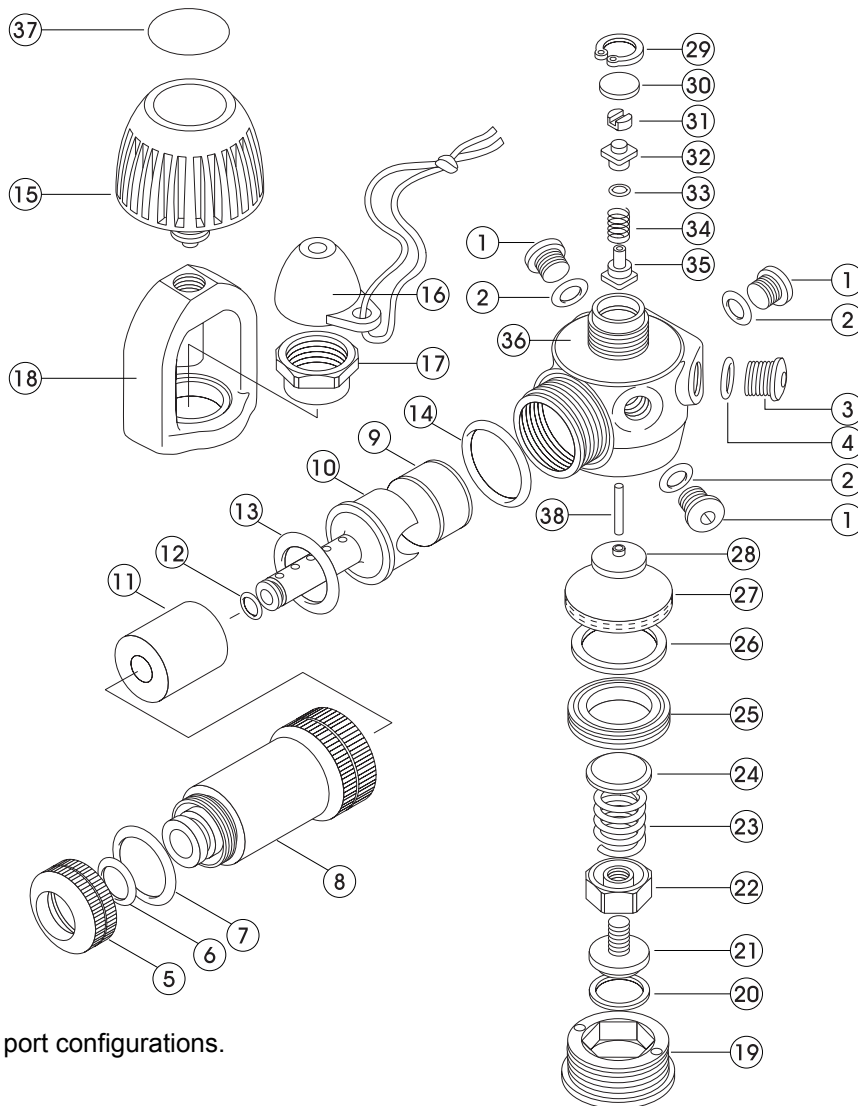


1st stage a-105



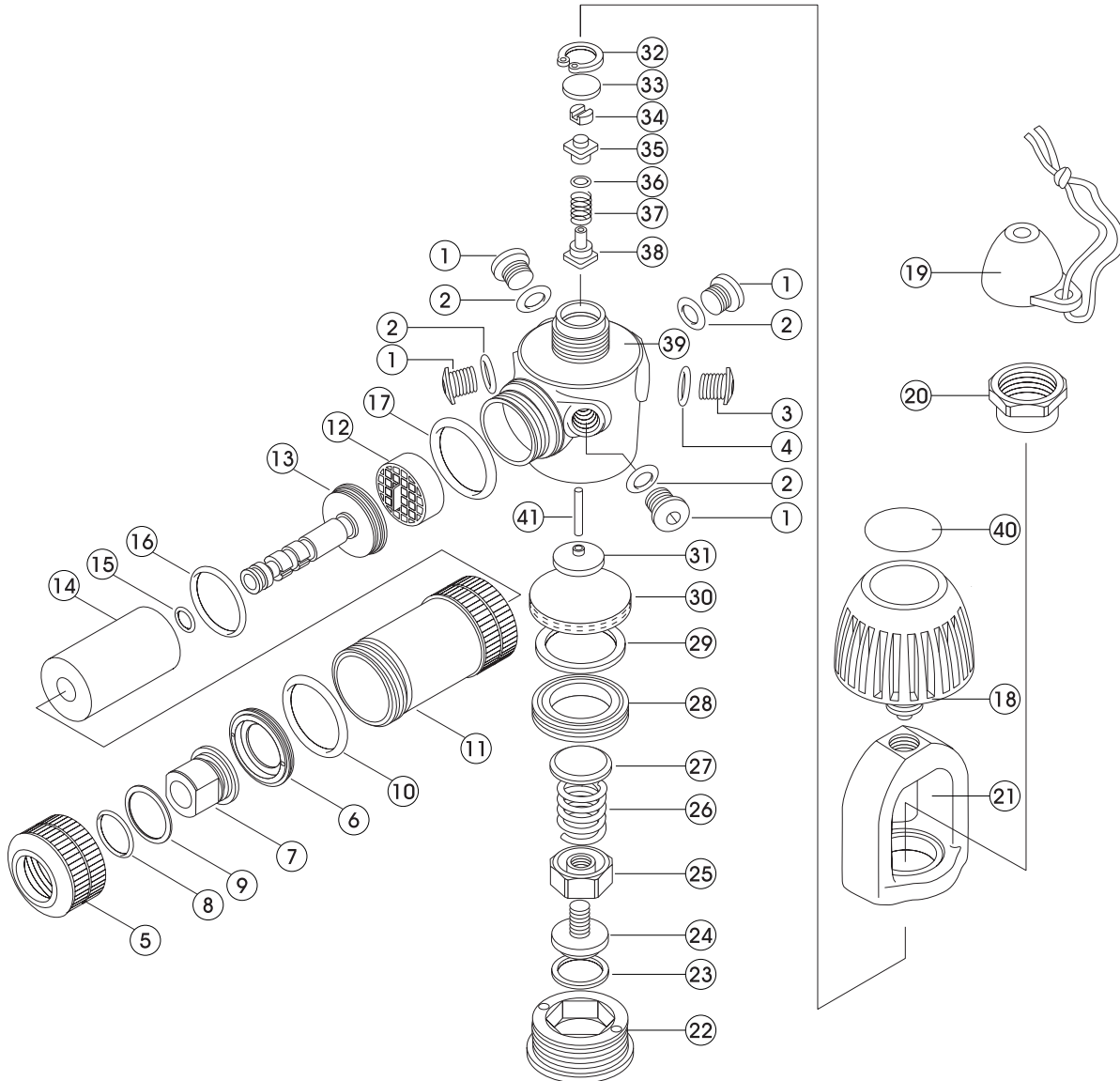
There are 2 types of port configurations.

- (1) 1/2 inch x3
- (2) 3/8 inch x4

No.	Code	Descriptoin
1a	3100101901	3/8 PLUG (REGULATOR AND AV-1 SCOOTER)
1b	3100101904	1/2 PLUG FOR REGULATOR
2a	3993592011	O-RING ARP-011/HS75 (REGULATOR & B.C)
2b	3993592013	O RING ARP-013/HS75 FOR REGULATOR
3	3100101903	7/16 PLUG FOR H.P PORT
4	3993592012	O RING ARP-012/HS75 FOR REGULATOR
5	3100201047	HOUSING CAP
6a	3993092013	O RING P-14/HS75 FOR REGULATOR
6b	3993592016	O RING ARP-016/HS75
7	3993592022	O RING ARP-022/HS75
8a	3100201046	MOISTURIZER HOUSING 3/8"
8b	3100201049	MOISTURIZER HOUSING 1/2"
9	1120280002	CHARCOAL FILTER A-105
10	3102080055	MOISTURIZER TUBE
11	1120200002	MOISTURIZING PAD A-105 42MM
12	3993092004	O RING P-7 FOR REGULATOR
13a	3103080033	GASKET A-1056 (A-105)
13b	3993592022	O RING ARP-022/HS75
14	3993592025	O RING ARP-025/HS75 FOR REGULATOR
15	3102080158	YOKE SCREW
16	1184380003	DUST CAP ASSY

No.	Code	Descriptoin
17	3100203045	YOKE RETAINER : A-101,105
18	3101001032	YOKE FOR PRESTIGE (L)
19	3100201044	BODY CAP 102
20	3102470303	TEFLON WASHER FOR REGULATOR
21	3100201043	ADJUST SCREW FOR REGULATOR
22	3100203047	GUIDE NUT FOR REGULATOR
23	3101200046	SPRING FOR REGULATOR
24	3100103061	SPRING PAD FOR REGULATOR
25	3100203046	DIAPHRAGM RETAINER FOR REGULATOR
26	3101100020	DIAPHRAGM WASHER
27	3103980102	H.P. DIAPHRAGM FOR REGULATOR
28	3100101105	PUSH ROD PAD :FOR A-101,2,5,7,8,10
29	3990500101	RETAINING RING
30	3990800411	FILTER 150 MICRON :SUS316 D/12.6 T/1.66
31	3100103073	CHAMBER SPACER
32	2100100050	BALANCE CHAMBER W/O O RING:A-101,2,5,7,8,10
33	3993592006	O RING ARP-006/HS75
34	3101200026	H.P. SPRING FOR REGULATOR
35	3100103099	H.P. SEAT FOR REGULATOR
36	3101001033	BODY A-1056 3/8X3
37	3104680004	YOKE STICKER BK
38	3990100072	PUSH ROD PIN

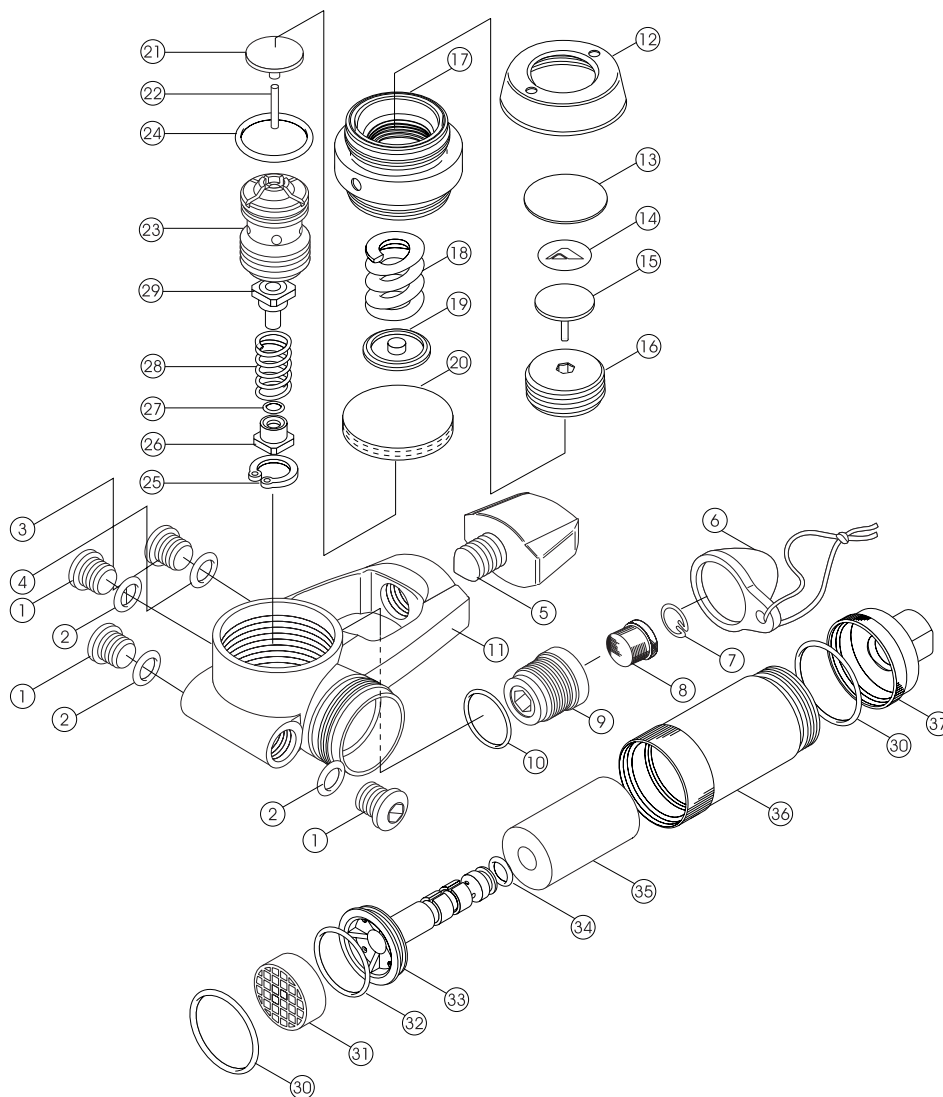
1st stage a-107



No.	Code	Descriptoin
1	3100101901	3/8 PLUG (REGULATOR AND AV-1 SCOOTER)
2	3993592011	O-RING ARP-011/HS75 (REGULATOR & B.C)
3	3100101903	7/16 PLUG FOR H.P PORT
4	3993592012	O RING ARP-012/HS75 FOR REGULATOR
5	3100201058	MOISTURIZER CAP A-107
6	3100201056	HOSE SWIVEL STOPPER
7	3100201057	HOSESWIVEL
8	3993592015	O RING ARP-015/HS75 FOR REGULATOR
9	3102470306	TEFLON WASHER/SWIVEL
10	3993592060	O-RING DRY LUBE FOR FILTER
11	3100201055	MOISTURIZER HOUSING A-107
12	1120280004	MESH CHARCOAL FILTER FOR B/F & A-107,110
13	3102080069	MOISTURIZER TUBE A-107,110
14	1120200003	MOISTURIZING PAD A-107,110 47MM
15	3993092004	O RING P-7 FOR REGULATOR
16	3993592020	O-RING ARP-020/HS75
17	3993592060	O-RING DRY LUBE FOR FILTER
18	3102080158	YOKE SCREW
19	1184380003	DUST CAP ASSY
20	3100203045	YOKE RETAINER : A-101,105

No.	Code	Descriptoin
21	3101001032	YOKE FOR PRESTIGE (L)
22	3100201044	BODY CAP 102
23	3102470303	TEFLON WASHER FOR REGULATOR
24	3100201043	ADJUST SCREW FOR REGULATOR
25	3100203047	GUIDE NUT FOR REGULATOR
26	3101200046	SPRING FOR REGULATOR
27	3100103061	SPRING PAD FOR REGULATOR
28	3100203046	DIAPHRAGM RETAINER FOR REGULATOR
29	3101100020	DIAPHRAGM WASHER
30	3103980102	H.P. DIAPHRAGM FOR REGULATOR
31	3100101105	PUSH ROD PAD :FOR A-101,2,5,7,8,10
32	3990500101	RETAINING RING
33	3990800411	FILTER 150 MICRON :SUS316 D/12.6 T/1.66
34	3100103073	CHAMBER SPACER
35	2100100050	BALANCE CHAMBER W/O O RING:A-101,2,5,7,8,10
36	3993592006	O RING ARP-006/HS75
37	3101200026	H.P. SPRING FOR REGULATOR
38	3100103099	H.P. SEAT FOR REGULATOR
39	3101001034	107 BODY FOR REGULATOR
40	3104680004	YOKE STICKER BK
41	3990100072	PUSH ROD PIN

1st stage a-110



No.	Code	Descriptoin
1	3100101101	PLUG(A) :3/8 FOR L.P
2	3993592011	O-RING ARP-011/HS75 (REGULATOR & B.C)
3	3100101102	PLUG(C) :7/16 FOR H.P
4	3993592012	O RING ARP-012/HS75 FOR REGULATOR
5	2122080000	YOKE SCREW
6	1184380003	DUST CAP ASSY
7	3101200064	FILTER RETAINER 01/0 : FOR A-102 A-108 A-110
8	3990800412	BUCKET FILTER 150 MICRON : SUS316D/12,6T/1,66
9	3120100006	VALBE PORT FOR A-110
10	3993592015	O RING ARP-015/HS75 FOR REGULATOR
11a	3121300002	BODY A-110 : 3/8×3,7/16×1DGY
11b	3120270004	BODY A-110 : 3/8×3,7/16×1 WSV
12a	3120100004	OUTER DIAPHRAGM HOLDER : FOR A-110 DGY
12b	3120270001	OUTER DIAPHRAGM HOLDER : FOR A-110 WSV
13	3102400010	OUTER DIAPHRAGM :HS60 SILICON FOR A-108,A-110
14	3104681000	BIO MARKED STICKER FOR PISTON
15	3100101108	PISTON : FOR A-108,A-110
16	3100101110	ADJUST SCREW : FOR A-108,A-110
17a	3120100005	ROCK NUT : FOR A-110 WSV
17b	3120280001	ROCK NUT : FOR A-110 DGY
18	3101200062	ADJUST SPRING FOR L.P :FOR A-101,2,5,7,8,10

No.	Code	Descriptoin
19	3100101111	SPRING PAD : FOR A-101,2,5,7,8,10
20	3103980102	H.P. DIAPHRAGM FOR REGULATOR
21	3100101105	PUSH ROD PAD :FOR A-101,2,5,7,8,10
22	3990100072	PUSH ROD PIN
23	3100101113	H.P MODULE : FOR A-102,108,110
24	3993592017	O-RING ARP-017/HS75
25	3990500101	RETAINING RING
26	2100100050	BALANCE CHAMBER W/O O RING:A-101,2,5,7,8,10
27	3993592006	O RING ARP-006/HS75
28	3101200061	H.P SPRING : A-101,2,5,7,8,10
29	3100103099	H.P. SEAT FOR REGULATOR
30	3993592060	O-RING DRY LUBE FOR FILTER
31	1120280004	MESH CHARCOAL FILTER FOR B/F & A-107,110
32	3993592020	O-RING ARP-020/HS75
33	3102080069	MOISTURIZER TUBE A-107,110
34	3993092004	O RING P-7 FOR REGULATOR
35	1120200003	MOISTURIZING PAD A-107,110 47MM
36a	3120200033	HUMIDIFY TUBE DGY
36b	3120270003	HUMIDIFY TUBE WSV
37a	3120200032	HUMIDIFY TUBE CAP DGY
37b	3120270002	HUMIDIFY TUBE CAP WSV