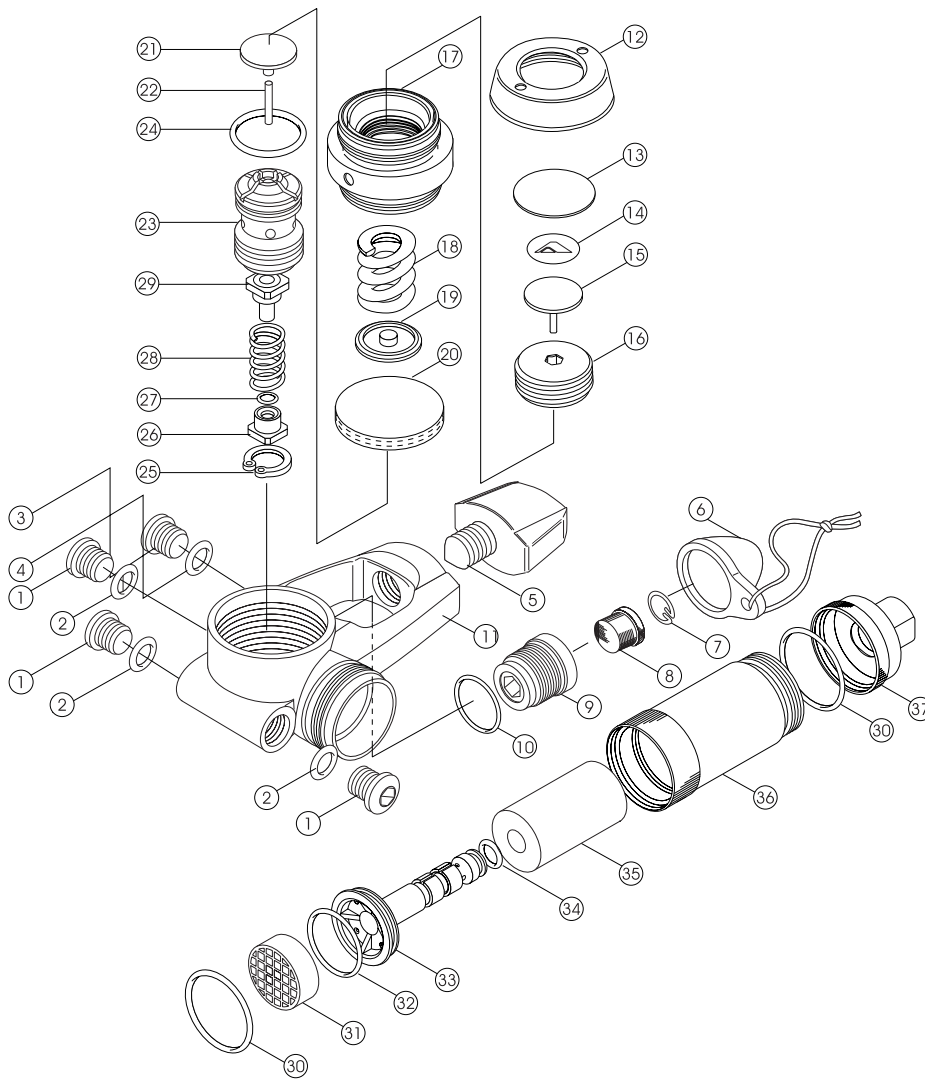


## 1st stage a-110



No.	Code	Descriptoin
1	3100101101	PLUG(A) :3/8 FOR L.P
2	3993592011	O-RING ARP-011/HS75 (REGULATOR & B.C)
3	3100101102	PLUG(C) :7/16 FOR H.P
4	3993592012	O RING ARP-012/HS75 FOR REGULATOR
5	2122080000	YOKE SCREW
6	1184380003	DUST CAP ASSY
7	3101200064	FILTER RETAINER 01/0 : FOR A-102 A-108 A-110
8	3990800412	BUCKET FILTER 150 MICRON : SUS316D/12,6T/1,66
9	3120100006	VALBE PORT FOR A-110
10	3993592015	O RING ARP-015/HS75 FOR REGULATOR
11a	3121300002	BODY A-110 : 3/8×3,7/16×1BK
11b	3120270004	BODY A-110 : 3/8×3,7/16×1 WT
12a	3120100004	OUTER DIAPHRAGM HOLDER : FOR A-110 BK
12b	3120270001	OUTER DIAPHRAGM HOLDER : FOR A-110 WT
13	3102400010	OUTER DIAPHRAGM :HS60 SILICON FOR A-108,A-110
14	3104681000	BIO MARKED STICKER FOR PISTON
15	3100101108	PISTON : FOR A-108,A-110
16	3100101110	ADJUST SCREW : FOR A-108,A-110
17a	3120100005	ROCK NUT : FOR A-110 WT
17b	3120280001	ROCK NUT : FOR A-110 BK
18	3101200062	ADJUST SPRING FOR L.P :FOR A-101,2,5,7,8,10

No.	Code	Descriptoin
19	3100101111	SPRING PAD : FOR A-101,2,5,7,8,10
20	3103980102	H.P. DIAPHRAGM FOR REGULATOR
21	3100101105	PUSH ROD PAD :FOR A-101,2,5,7,8,10
22	3990100072	PUSH ROD PIN
23	3100101113	H.P MODULE : FOR A-102,108,110
24	3993592017	O-RING ARP-017/HS75
25	3990500101	RETAINING RING
26	2100100050	BALANCE CHAMBER W/O O RING:A-101,2,5,7,8,10
27	3993592006	O RING ARP-006/HS75
28	3101200061	H.P SPRING : A-101,2,5,7,8,10
29	3100103099	H.P. SEAT FOR REGULATOR
30	3993592023	O-RING ARP-023/HS75
31	1120280004	MESH CHARCOAL FILTER FOR B/F & A-107,110
32	3993592020	O-RING ARP-020/HS75
33	3102080069	MOISTURIZER TUBE A-107,110
34	3993092004	O RING P-7 FOR REGULATOR
35	1120200003	MOISTURIZING PAD A-107,110 47MM
36a	3120200033	HUMIDIFY TUBE BK
36b	3120270003	HUMIDIFY TUBE WT
37a	3120200032	HUMIDIFY TUBE CAP BK
37b	3120270002	HUMIDIFY TUBE CAP WT