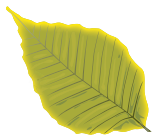


# OPTIMUM VIEWING RECOMMENDATIONS

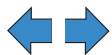
(Text on this page is oversized)



## ON SCREEN VIEWING

Take a moment to familiarize yourself with the **Adobe software viewing options and icons at top of your screen**. Use the tools referenced below to quickly review pages and improve readability of on screen text.

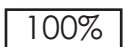
1. **Click** on View (drop down box will appear)
2. **Scroll Down** to Page Display ►
3. **Click** on Two-UP



Move to next or previous page, click appropriate arrow.



Increase /decrease size of entire page, click on - / + button  
- or -



type in a new %, for example 125% would increase the view



Increase a portion of the page, click on the magnifying glass, then click on area of page to magnify



## PRINT

Text viewed on screen may be difficult to read. The pages are set up for standard 8.5 x 11" sheet of paper. If you print the page, text will likely be larger than it appears on screen.

**TIP** Select **Fit To Page** to avoid omitting data.



## SCHEMATICS: 2ND STAGES

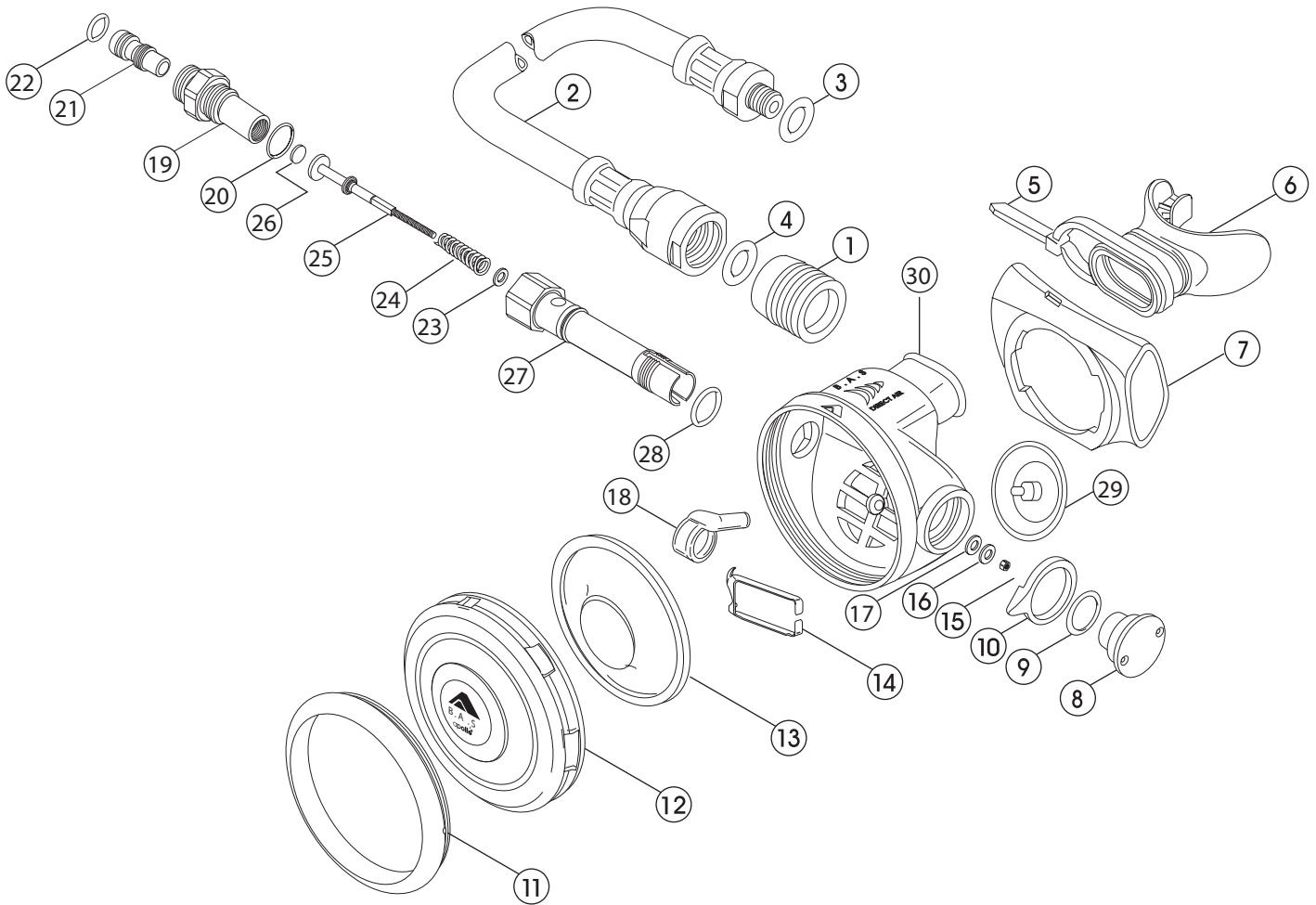
EFFECTIVE FEB 15, 2010

Bio .....	02
B.A.S.....	03
Ecodiver.....	04
Prestige Standard .....	05
Prestige Balanced.....	06
Prestige Balanced EX2000.....	07

You may also want to download the following:

- ▶ Service Slide Shows 1st & 2nd Stages
- ▶ Service Seminars 1st & 2nd Stages
- ▶ Schematics: 1st Stages
- ▶ Schematics: Bio-filter & Bio-micro
- ▶ Manuals: Bio-filter & Bio-micro

# 2nd stage B.A.S.



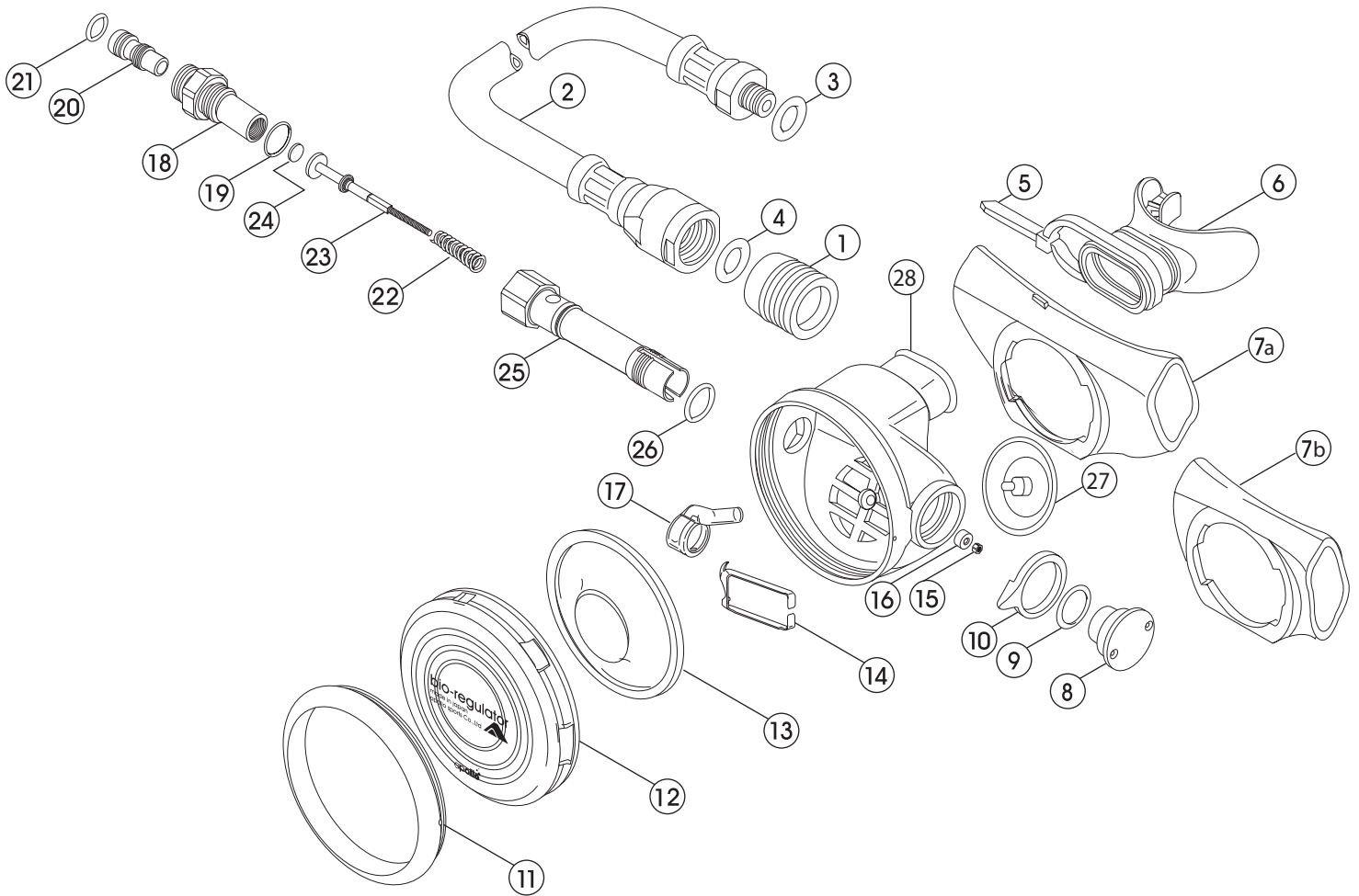
※ Parts #23 is only used in bio-octopus.

2010.02.01

Item included with service kit no. 1SK-09-02-BAS

No.	Code	Description	No.	Code	Description
1	3103080050	RUBBER PROTECTOR FOR REGULATOR (BIO&EX)	13	2100070000	DIAPHRAGM : WT SILICONE FOR BIO
2	2185004072	L.P. HOSE WITH BALLJOINT FOR REGULATOR 70CM	2100080002		DIAPHRAGM : BK SILICONE FOR BIO
	2185006090	L.P. HOSE WITH BALLJOINT FOR OCT (YL)	14	3101100087	DEMAND LEVER : WATER REPELLANT FOR BIO
	2185004061	L.P. HOSE WITH BALLJOINT FOR REGULATOR 60CM	15	3990100120	NYLON NUT : M3 SUS304 FOR BIO
	2185004092	L.P. HOSE WITH BALLJOINT FOR OCT (BK) 90CM	16	3990100062	WASHER M3 SUS304 3.3x8x0.5
3	3993592011	O-RING ARP-011/HS75 (REGULATOR & B.C)	17	3990500009	WASHER M4 SUS304 4X9X0.8
4	3993592013	O-RING ARP-013/HS75 FOR REGULATOR	18	3103170001	B.A.S TUBE : SILICONE HS70 FOR BIO
5	3992980100	NYLON CLAMP RING	19	3100100101	VALVE CONE HOLDER : FOR BIO
6	3103080037	MOUTHPIECE PRESTIGE (BK)	20	3993592014	O-RING ARP-014/HS75 W/1.78 ID/12.42
7	2102081006	EXHAUST TEE FOR OCTOPUS BIO, PRESTIGE	21	3100100104	VALVE CONE POM : 2ND WT FOR BIO
8	3102080404	BONNET:POM FOR BIO REGULATOR	22	3993592010	O-RING ARP-010/HS75
9	3993592015	O-RING ARP-015/HS75 FOR REGULATOR	23	3990500009	WASHER M4 SUS304 4X9X0.8
10	3102080402	TOP COVER LOCK : FOR BIO	24	3101200063	STANDARD CARRIER SPRING FOR BIO
11	3100100106	TOP COVER RING : WT ALMINUM FOR BIO	25	3100100112	VALVE SEAT CARRIER : WATER REPELLANT
	3100100123	TOP COVER RING FOR BIO : BK ALMINUM	26	3103080013	2ND STAGE VALVE SEAT
	3100100122	TOP COVER RING FOR BIO : YL ALMINUM	27	3100100110	VALVE HOUSING : WATER REPELLANT
12	3102055010	TOP COVER : BIO TYPE-2 BL	28	3993592015	O-RING ARP-015/HS75 FOR REGULATOR
	3102080407	TOP COVER : BIO TYPE-2 BK	29	3103070012	EXHAUST VALVE
	3102035021	TOP COVER : BIO TYPE-2 YL	30	3102080406	BOTTOM CASE: BK FOR BIO

# 2nd stage Bio

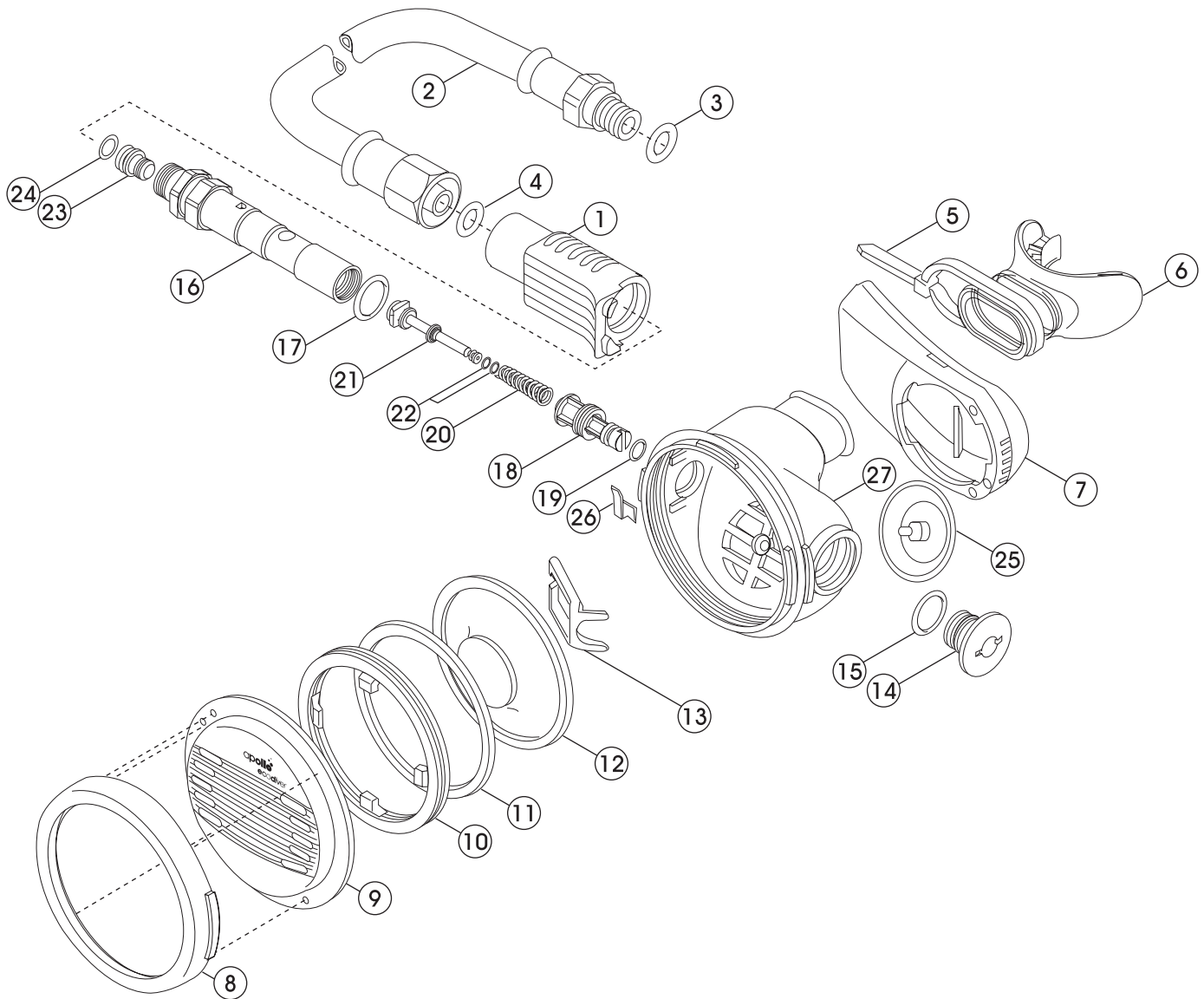


2010.02.01

Item included with service kit no. 1SK-09-02-BIO

No.	Code	Description	No.	Code	Description
1	3103080050	RUBBER PROTECTOR FOR REGULATOR (BIO&EX)	13	2100070000	DIAPHRAGM : WT SILICONE FOR BIO
2	2185004072	L.P. HOSE WITH BALLJOINT FOR REGULATOR 70CM	14	3101100087	DEMAND LEVER : WATER REPELLENT FOR BIO
	2185006090	L.P. HOSE WITH BALLJOINT FOR OCT (YL)	15	3990100120	NYLON NUT : M3 SUS304 FOR BIO
	2185004061	L.P. HOSE WITH BALLJOINT FOR REGULATOR 60CM	16	3100100113	LEVER SPACER : WATER REPELLANT
	2185004092	L.P. HOSE WITH BALLJOINT FOR OCT (BK) 90CM	17	3103170001	B.A.S TUBE : SILICONE HS70 FOR BIO
3	3993592011	O-RING ARP-011/HS75 (REGULATOR & B.C)	18	3100100101	VALVE CONE HOLDER : FOR BIO
4	3993592013	O-RING ARP-013/HS75 FOR REGULATOR	19	3993592014	O-RING ARP-014/HS75 W/1.78 ID/12.42
5	3992980100	NYLON CLAMP RING	20	3100100104	VALVE CONE POM : 2ND WT FOR BIO
6	3103080037	MOUTHPIECE PRESTIGE (BK)	21	3993592010	O-RING ARP-010/HS75
7a	2102081004	EXHAUST TEE FOR BIO, PRESTIGE REGULATOR	22	3101200063	STANDARD CARRIER SPRING FOR BIO
7b	2102081006	EXHAUST TEE FOR OCTOPUS BIO, PRESTIGE	23	3100100112	VALVE SEAT CARRIER : WATER REPELLANT
8	3102080404	BONNET:POM FOR BIO REGULATOR	24	3103080013	2ND STAGE VALVE SEAT
9	3993592015	O-RING ARP-015/HS75 FOR REGULATOR	25	3100100110	VALVE HOUSING : WATER REPELLANT
10	3102080402	TOP COVER LOCK : FOR BIO	26	3993592015	O-RING ARP-015/HS75 FOR REGULATOR
11	3100100106	TOP COVER RING : WT ALMINUM FOR BIO	27	3103070012	EXHAUST VALVE
	3100100122	TOP COVER RING FOR BIO : YL ALMINUM	28	3102080400	BOTTOM CASE : BK FOR BIO
12	3102080403	TOP COVER : FOR BIO			

# 2nd stage Ecodiver

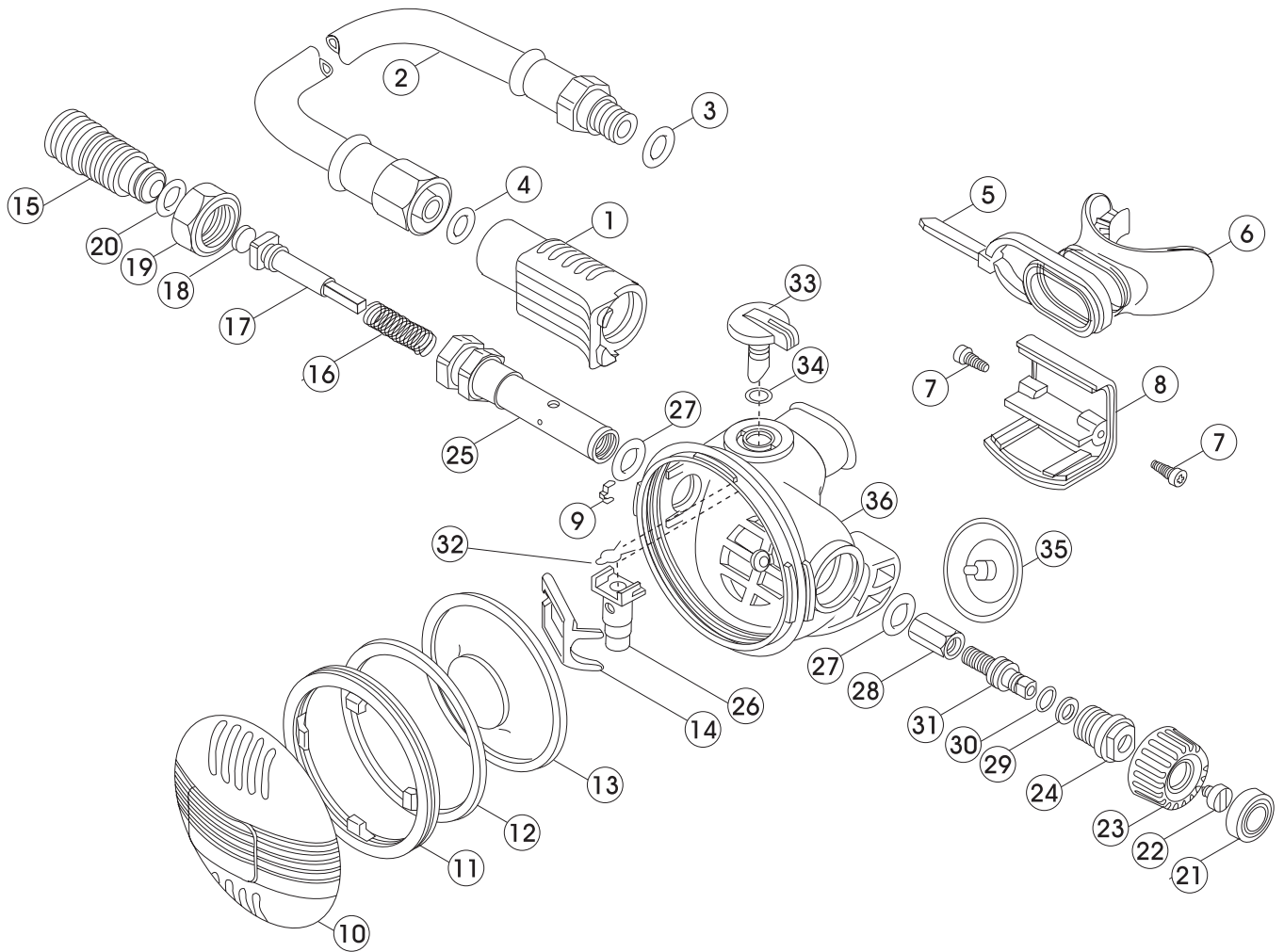


2010.02.01

Item included with service kit no. 1SK-09-02-ECD

No.	Code	Description	No.	Code	Description
1	3102080113	HOSE PROTECTOR	13	3101100083	DEMAND LEVER 2ND
2	3103983070	L.P. HOSE 70CM WITH SWIVEL	14	3102080122	SIDE CAP
	3113983090	L.P. HOSE 90CM BK	15	3993592015	O-RING ARP-015/HS75 FOR REGULATOR
3	3993592011	O-RING ARP-011/HS75 (REGULATOR & B.C)	16	3100103110	VALVE HOUSING ED2R04 C361B
4	3993592010	O-RING ARP-010/HS75	17	3993592015	O-RING ARP-015/HS75 FOR REGULATOR
5	3992970100	NYLON CLAMP (WT)	18	3102080121	CYLINDER NEW ECODIVER
6	3103080037	MOUTHPIECE PRESTIGE (BK)	19	3993590008	O-RING ARP-008/HS50
7	2102081005	EXHAUST TEE FOR ECODIVER REGULATOR	20	3101200017	CARRIER SPRING B PRESTIGE BALANCE
8	3102021201	TOP COVER RIM (F.PK)	21	2100100014	VALVE SEAT/CARRIER ASSY - PRESTIGE
	3102023501	TOP COVER RIM (F.YL)	22	3993970001	O-RING/VALVE SEAT CARRIER B PRESTIGE-B
	3102056001	TOP COVER RIM (COBL)	23	3100103111	VALVE CONE ED2R05 C3601 B
	3102080091	TOP COVER RIM (BK)	24	3993592010	O-RING ARP-010/HS75
9	3102080124	TOP COVER ECODIVER (BK)	25	3103070014	EXHAUST VALVE
10	3102080112	SNAP RING ABS BK	26	3101180002	TOP COVER LOCK SPRING ED2R13 SUS304SP
11	3102470003	COVER RING	27	3102080310	BOTTOM CASE : SPX-20 BK FOR ECO DIVER
12	2100070000	DIAPHRAGM : WT SILICONE FOR BIO			

# 2nd stage Prestige (Standard)

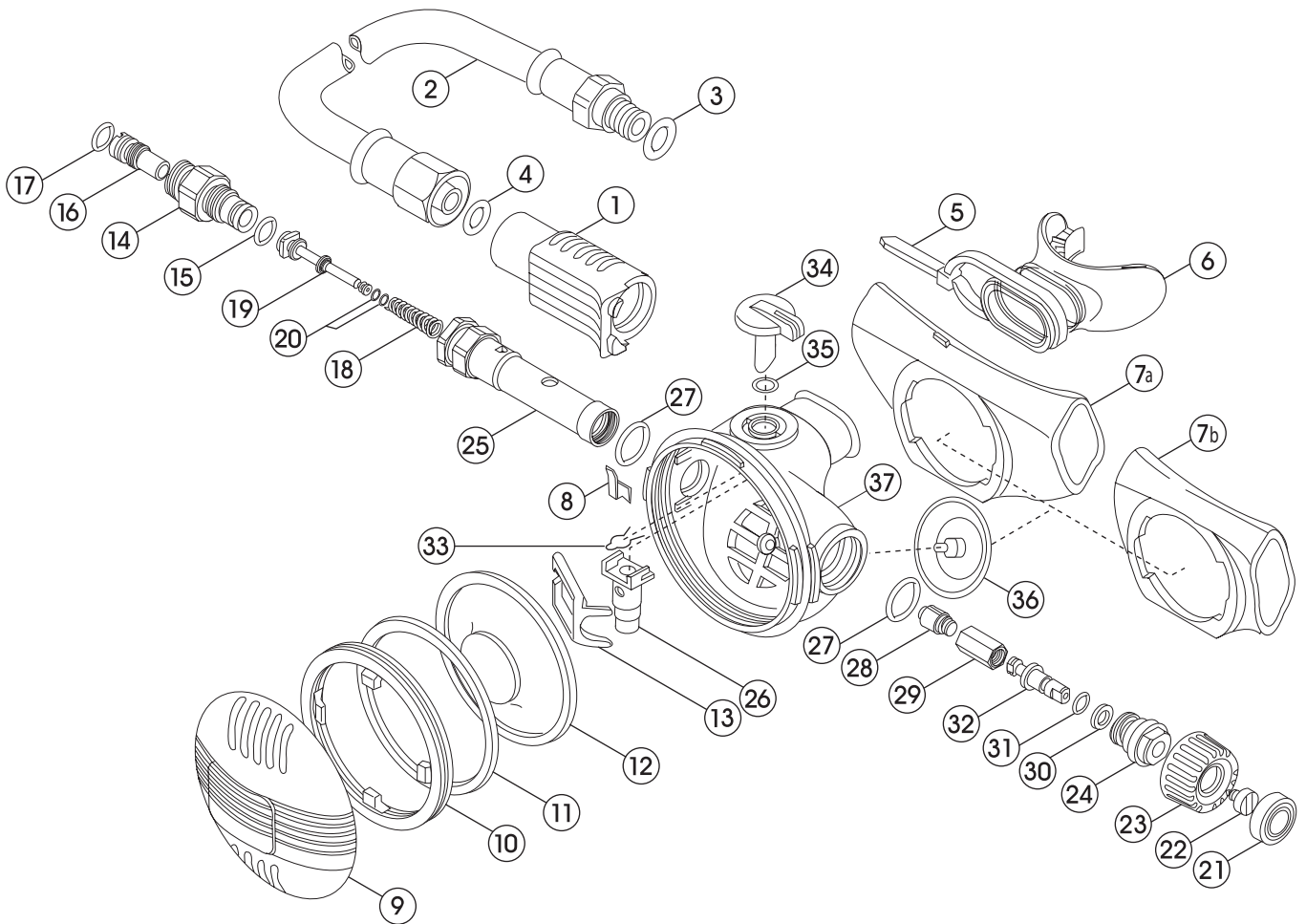


2010.02.01

Item included with service kit no. 1SK-09-02-PRS

No.	Code	Description	No.	Code	Description
1	3102080113	HOSE PROTECTOR	19	3100103025	LOCK NUT
2	3103983070	L.P. HOSE 70CM WITH SWIVEL	20	3993592011	O-RING ARP-011/HS75 (REGULATOR & B.C)
	3113983090	L.P. HOSE 90CM BK	21	3102021209	KNOB CAP (F.PK)
3	3993592011	O-RING ARP-011/HS75 (REGULATOR & B.C)		3102023509	KNOB CAP (F.YL)
4	3993592010	O-RING ARP-010/HS75		3102056109	KNOB CAP (COBL)
5	3992970100	NYLON CLAMP (WT)		3102070109	KNOB CAP (WT)
6	3103080037	MOUTHPIECE PRESTIGE (BK)		3102024509	KNOB CAP (F.GN)
7	3990100308	SCREW SUS M3X8		3102065009	KNOB CAP (PL)
8	3102080107	EXHAUST COVER		3102080109	KNOB CAP (BK)
9	3101180000	TOP COVER LOCK PRESTIGE	22	3990100155	KNOB SCREW 2ND STAGE
10	2102021201	TOP COVER ASSY, PRESTIGE F.PK	23	3102080108	ADJUSTING KNOB
	2102023501	TOP COVER ASSY, PRESTIGE F.YL	24	3100103078	BONNET FOR REGULATOR
	2102056001	TOP COVER ASSY, PRESTIGE COBL	25	3100103100	DEMAND VALVE HOUSING
	2102070001	TOP COVER ASSY, PRESTIGE WT	26	3102080111	AIR FLOW TUBE
	2102022501	TOP COVER ASSY, PRESTIGE F.OG	27	3993592015	O-RING ARP-015/HS75 FOR REGULATOR
	2102024501	TOP COVER ASSY, PRESTIGE F.GN	28	3100103076	ADJUST NUT FOR REGULATOR
	2102065001	TOP COVER ASSY, PRESTIGE PL	29	3102400002	TEFLON WASHER FOR SS 2ND STAGE
	2102080001	TOP COVER ASSY, PRESTIGE BK	30	3993392505	O-RING S-8/HS75 FOR B.C.
11	3102080112	SNAP RING ABS BK	31	3100103077	ADJUST SHAFT
12	3102470003	COVER RING	32	3990900002	CLIP
13	2100070000	DIAPHRAGM : WT SILICONE FOR BIO	33	3102080110	AIR FLOW ADJUSTER
14	3101100083	DEMAND LEVER 2ND	34	3993390504	O-RING S-4
15	3100103089	VALVE CONE	35	3103070012	EXHAUST VALVE
16	3101200011	CARRIER SPRING	36	3102080101	BOTTOM BOX, PRESTIGE
17	3100103024	SEAT CARRIER FOR REGULATOR		3101200054	PURGE BUTTON SPRING
18	3103080013	2ND STAGE VALVE SEAT		3102080104	PARGE BUTTON FOR PRESTIGE

# 2nd stage Prestige Balanced

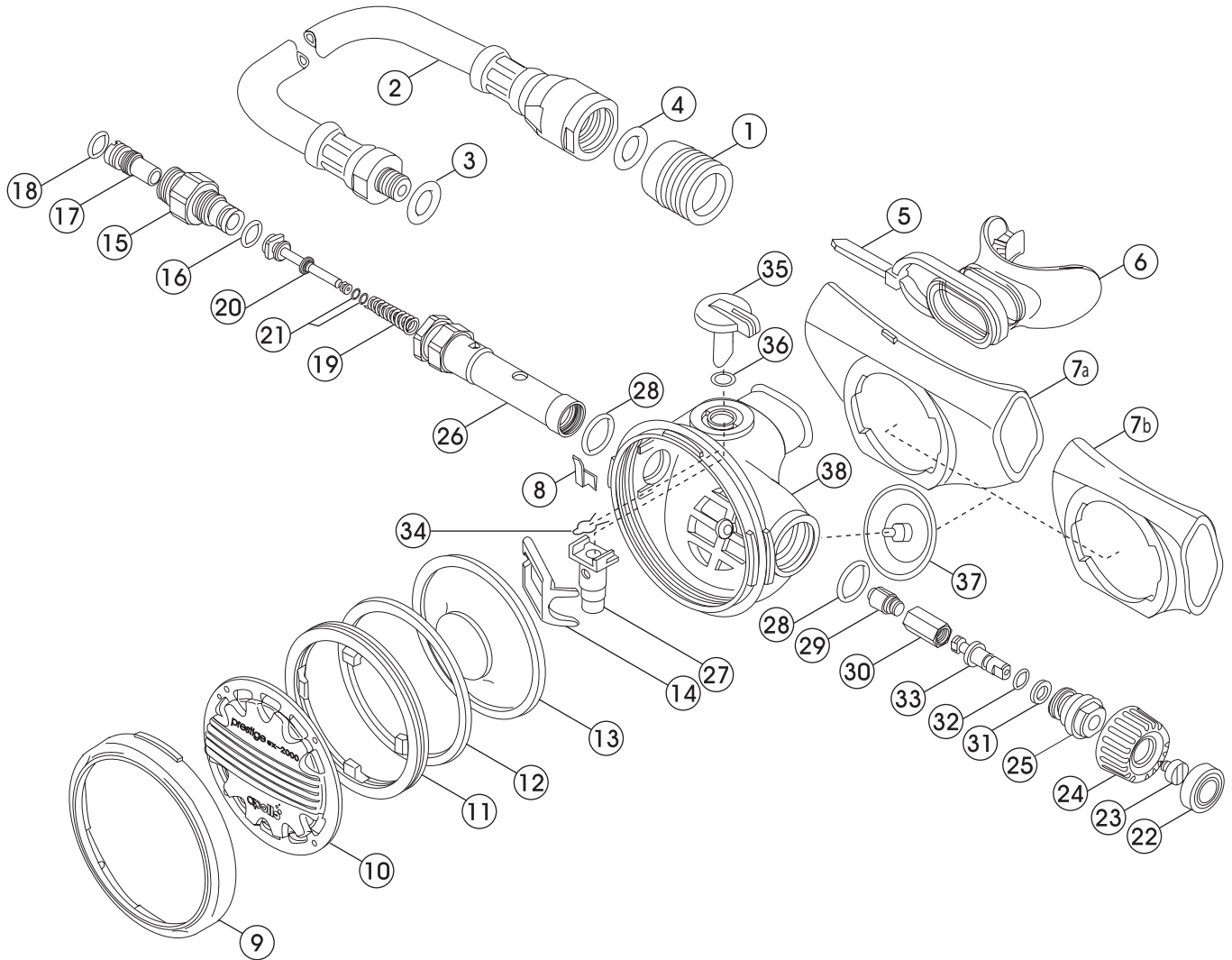


2010.02.01

Item included with service kit no. 1SK-09-02-PRB

No.	Code	Description	No.	Code	Description
1	3102080113	HOSE PROTECTOR	18	3101200017	CARRIER SPRING B PRESTIGE BALANCE
2	3103983070	L.P. HOSE 70CM WITH SWIVEL	19	2100100014	VALVE SEAT/CARRIER ASSY - PRESTIGE
	3113983090	L.P. HOSE 90CM BK	20	3993970001	O-RING/VALVE SEAT CARRIER B PRESTIGE-B
3	3993592011	O-RING ARP-011/HS75 (REGULATOR & B.C)	21	3102021209	KNOB CAP (F.PK)
4	3993592010	O-RING ARP-010/HS75		3102023509	KNOB CAP (F.YL)
5	3992970100	NYLON CLAMP (WT)		3102024509	KNOB CAP (F.GN)
6	3103080037	MOUTHPIECE PRESTIGE (BK)		3102056109	KNOB CAP (COBL)
7	2102081004	EXHAUST TEE FOR BIO, PRESTIGE REGULATOR		3102065009	KNOB CAP (PL)
	2102081006	EXHAUST TEE FOR OCTOPUS BIO, PRESTIGE		3102070109	KNOB CAP (WT)
8	3101180002	TOP COVER LOCK SPRING ED2R13 SUS304SP		3102080109	KNOB CAP (BK)
9	2102121201	TOP COVER ASSY B : PRESTIGE (F.PK)	22	3990100155	KNOB SCREW 2ND STAGE
	2102122501	TOP COVER ASSY B : PRESTIGE (F.OG)	23	3102080108	ADJUSTING KNOB
	2102123501	TOP COVER ASSY B : PRESTIGE (F.YL)	24	3100103104	BONNET B PRESTIGE BALANCE
	2102124501	TOP COVER ASSY B : PRESTIGE (F.GN)	25	3100103103	VALVE HOUSING B PRESTIGE BALANCE
	2102156001	TOP COVER ASSY B : PRESTIGE (COBL)	26	3102080111	AIR FLOW TUBE
	2102165001	TOP COVER ASSY B : PRESTIGE (PL)	27	3993592015	O-RING ARP-015/HS75 FOR REGULATOR
	2102170001	TOP COVER ASSY B : PRESTIGE (WT)	28	3102080120	CYLINDER B PRESTIGE BALANCE
	2102180001	TOP COVER ASSY B : PRESTIGE (BK)	29	3100103106	NUT B PRESTIGE BALANCE
	2102180101	TOP COVER ASSY B : PRESTIGE (GF)	30	3102400002	TEFLON WASHER FOR SS 2ND STAGE
10	3102080112	SNAP RING ABS BK	31	3993390504	O-RING S-4
11	3102470003	COVER RING	32	3100103105	SHAFT B PRESTIGE BALANCE
12	2100070000	DIAPHRAGM : WT SILICONE FOR BIO	33	3990900002	CLIP
13	3101100084	DEMAND LEVER : FOR PRESTIGE 2ND	34	3102080110	AIR FLOW ADJUSTER
14	3100103102	VALVE CONE HOLDER B	35	3993390504	O-RING S-4
15	3993592011	O-RING ARP-011/HS75 (REGULATOR & B.C)		3103070012	EXHAUST VALVE
16	3100103101	VALVE CONE B	37	3102080300	BOTTOM CASE : FOR PRESTIGE 2ND
17	3993392504	O-RING S-7/HS75			

# 2nd stage Prestige EX2000



2010.02.01

Item included with service kit no. 1SK-09-02-PRX

No.	Code	Description	No.	Code	Description
1	3103080050	RUBBER PROTECTOR FOR REGULATOR (BIO&EX)	19	3101200017	CARRIER SPRING B PRESTIGE BALANCE
2	2185004072	L.P. HOSE WITH BALLJOINT FOR REGULATOR 70CM	20	2100100014	VALVE SEAT/CARRIER ASSY - PRESTIGE
	2185004092	L.P. HOSE WITH BALLJOINT FOR OCT (BK) 90CM	21	3993970001	O-RING/VALVE SEAT CARRIER B PRESTIGE-B
3	3993592011	O-RING ARP-011/HS75 (REGULATOR & B.C)	22	3102080109	KNOB CAP (BK)
4	3993592013	O-RING ARP-013/HS75 FOR REGULATOR	23	3990100155	KNOB SCREW 2ND STAGE
5	3992970100	NYLON CLAMP (WT)	24	3102080108	ADJUSTING KNOB
6	3103080037	MOUTHPIECE PRESTIGE (BK)	25	3100103104	BONNET B PRESTIGE BALANCE
7	2102081004	EXHAUST TEE FOR BIO, PRESTIGE REGULATOR	26	3100103103	VALVE HOUSING B PRESTIGE BALANCE
	2102081006	EXHAUST TEE FOR OCTOPUS BIO, PRESTIGE	27	3102080111	AIR FLOW TUBE
8	3101180002	TOP COVER LOCK SPRING ED2R13 SUS304SP	28	3993592015	O-RING ARP-015/HS75 FOR REGULATOR
9	3102036000	TOP COVER HOLDER	29	3102080120	CYLINDER B PRESTIGE BALANCE
10	3102080150	TOP COVER	30	3100103106	NUT B PRESTIGE BALANCE
11	3102080112	SNAP RING ABS BK	31	3102400002	TEFLON WASHER FOR SS 2ND STAGE
12	3102470003	COVER RING	32	3993390504	O-RING S-4
13	2100070000	DIAPHRAGM : WT SILICONE FOR BIO	33	3100103105	SHAFT B PRESTIGE BALANCE
14	3101100084	DEMAND LEVER : FOR PRESTIGE 2ND	34	3990900002	CLIP
15	3100103102	VALVE CONE HOLDER B	35	3102080110	AIR FLOW ADJUSTER
16	3993592011	O-RING ARP-011/HS75 (REGULATOR & B.C)	36	3993390504	O-RING S-4
17	3100103101	VALVE CONE B	37	3103070012	EXHAUST VALVE
18	3993392504	O-RING S-7/HS75	38	3102080300	BOTTOM CASE : FOR PRESTIGE 2ND