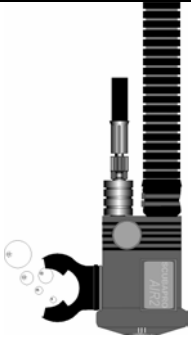
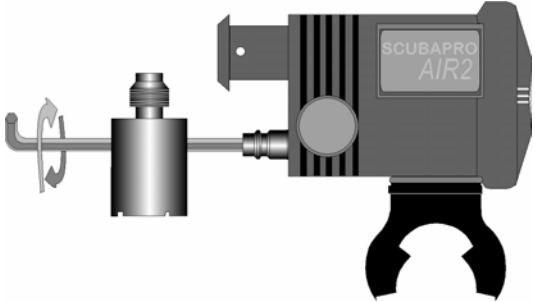
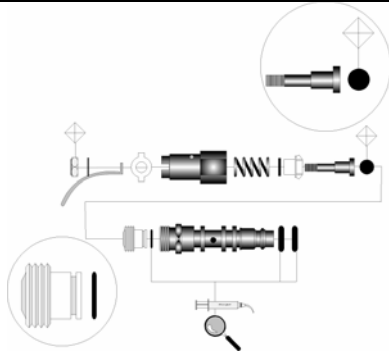
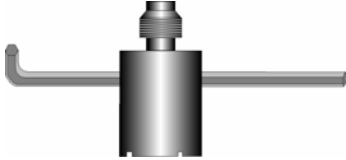
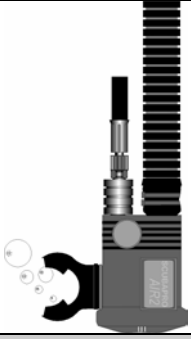
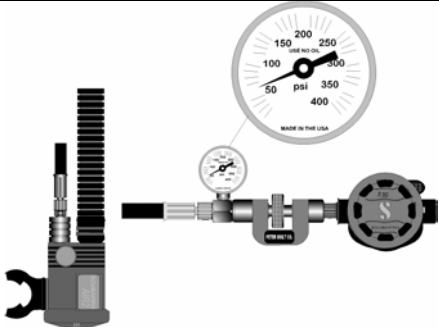
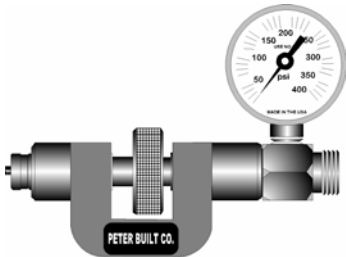

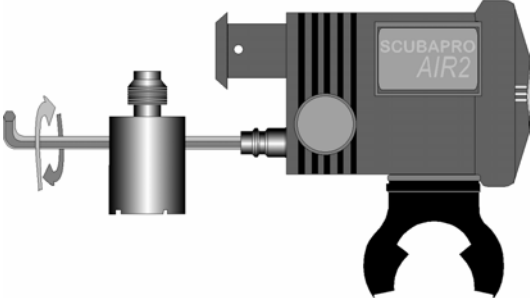
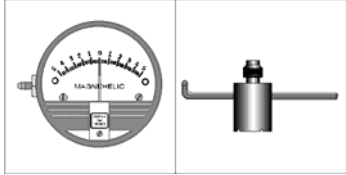



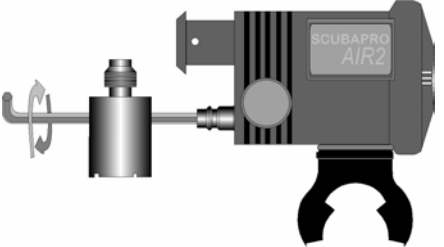
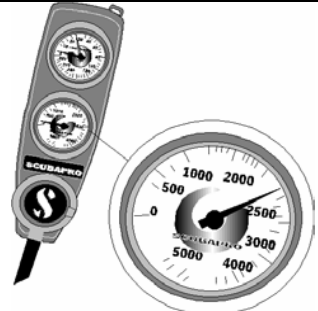
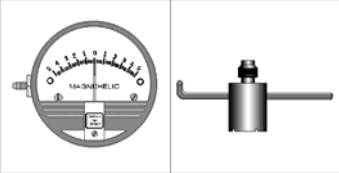
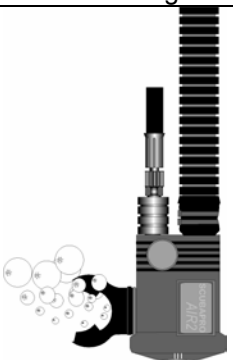
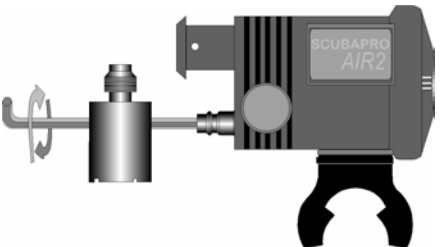
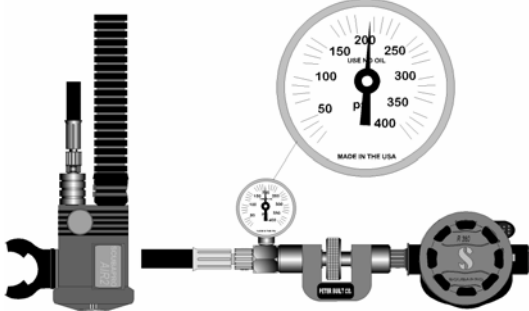
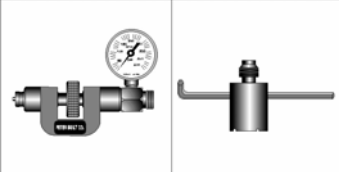


SCUBAPRO AIR 2 Trouble Shooting Guide

Symptom	Correction	Tools Needed	
Continuous slow leak from downstream regulator 	Readjust orifice or nyloc nut 	Replace seat, orifice, or spring 	Air 2 Spider Tool 
Continuous slow leak from downstream regulator 	High IP – See first stage trouble shooting 	Pneumatic adjustment tool or IP gauge 	
Inhalation effort is lower than specification 	Readjust orifice or nyloc nut 	Various 	


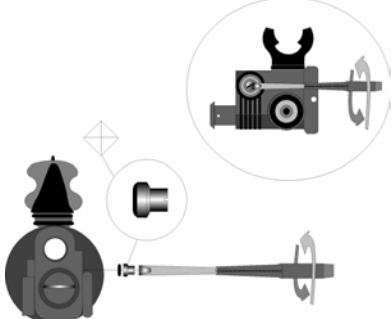
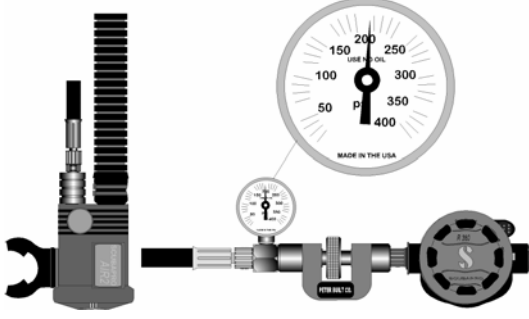

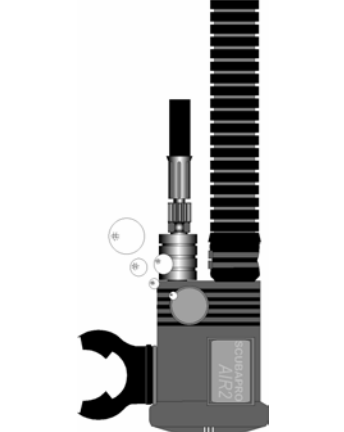
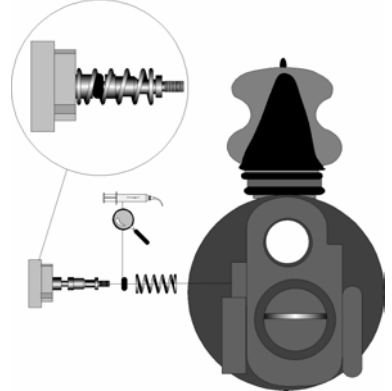
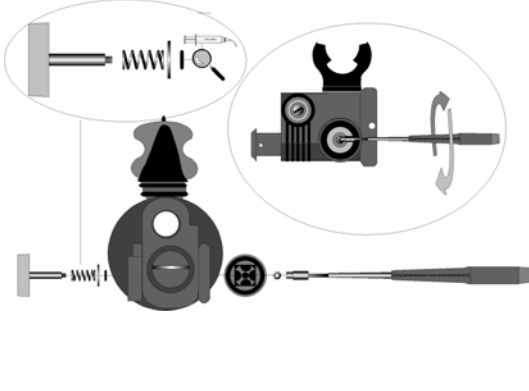


SCUBAPRO AIR 2 Trouble Shooting Guide

Symptom	Correction	Correction	Tools Needed
<p>Inhalation effort is higher than specification</p> 	<p>Readjust orifice or nyloc nut</p> 	<p>Use a supply pressure of at least 1500 psi/100 bar</p> 	<p>Various</p> 
<p>Violent free flow from second stage</p> 	<p>Readjust orifice or nyloc nut</p> 	<p>High IP – See first stage trouble shooting guide</p> 	<p>Various</p> 



SCUBAPRO AIR 2 Trouble Shooting Guide

Symptom	Correction	Correction	Tools Needed
<p>Continuous leak from inflator (continuous BC inflation)</p> 	<p>Replace inflator seat</p> 	<p>High IP – See first stage trouble shooting guide</p> 	<p>Various</p> 
<p>External leaks from exhaust or inflator buttons</p> 	<p>Replace and/or lubricate inflator o’ring</p> 	<p>Replace and/or lubricate exhaust stem o’ring</p> 	<p>Various</p> 