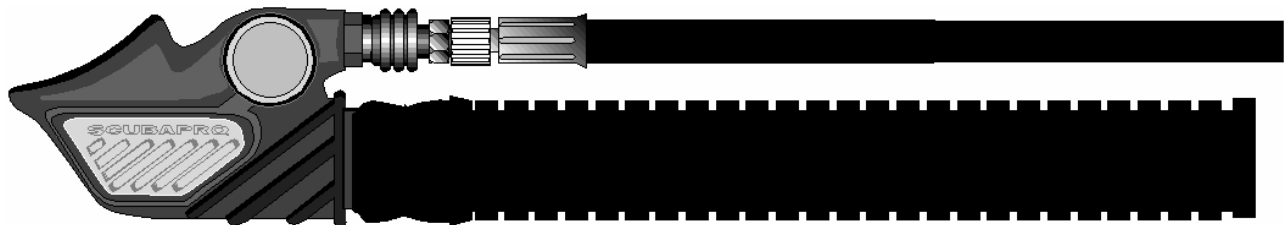


SCUBAPRO

Balanced Power Inflator

**USE THIS GUIDE AS A REFERENCE WHEN SERVICING
THE BALANCED POWER INFLATOR**



©2003 SCUBAPRO

important note: The following information is not designed to be a complete training guide for servicing the listed SCUBAPRO products. All SCUBAPRO technicians are required to attend an annual service training program to insure safe handling and servicing of SCUBAPRO products. All SCUBAPRO technicians must be employed by an authorized SCUBAPRO facility.

SCUBAPRO Balanced Power Inflator

TOOLS NEEDED FOR REPAIR OF BALANCED POWER INFLATOR



Quantity	Part Number	Description	
1 set	10.102.100 (Peter Built)	Brass o'ring picks	
1 tube	41.047.000	Christo-Lube	
1	47.010.000	Counter Mat	
1	41.496.101	Lubricant syringe	
2		Adjustable wrench	
1		Small screwdriver (5mm)	
	43.300.221 (SCUBAPRO)	Schrader valve tool	
	20.125.200	Seat Slider (Peter Built)	
1	18.300.500 (Peter Built)	Blow Gun/Air Nozzle	
1		7/32" Nut Driver	
1	43.040.000	Universal Tool	
1		Torque Wrench - 100 in-lb range	





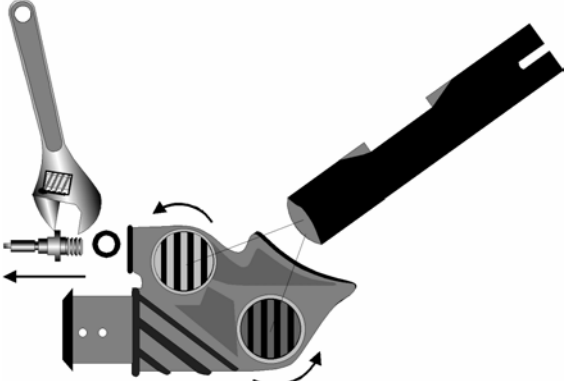

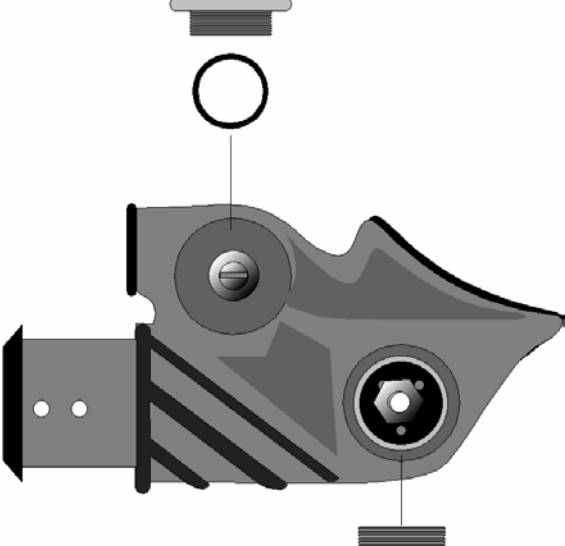
ICON LEGEND

	Inspect carefully, replace if needed
	Lubricate properly
	Replace annually
	No tools needed for this step


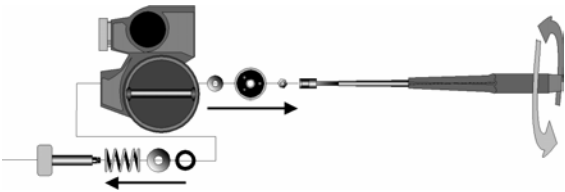

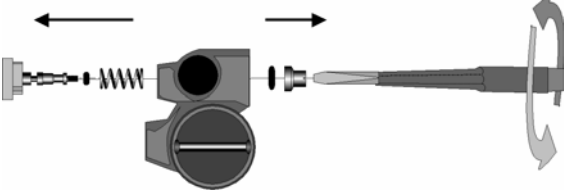

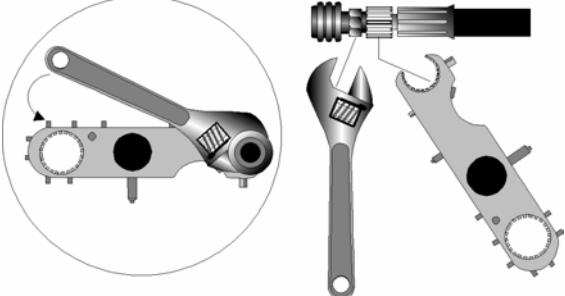
©2003 SCUBAPRO

Important note: The following information is not designed to be a complete training guide for servicing the listed SCUBAPRO regulators. All SCUBAPRO technicians are required to attend an annual service training program to insure safe handling and servicing of SCUBAPRO products. All SCUBAPRO technicians must be employed by an authorized SCUBAPRO facility.


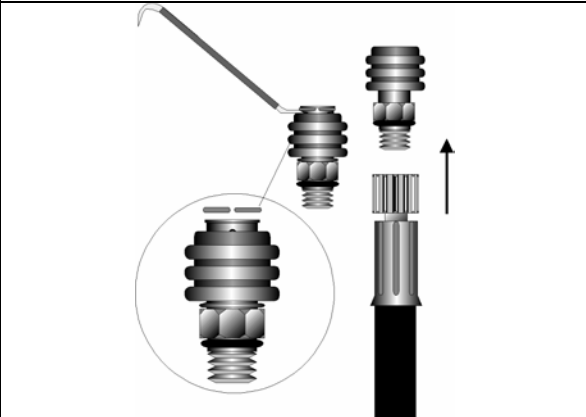
SCUBAPRO Balanced Power Inflator

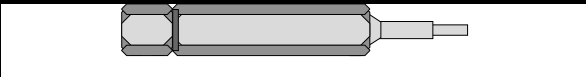

		<p>No tools needed this step</p>
<p>Remove hoses from unit.</p>		
		
<p>Remove the male quick disconnect fitting using an adjustable wrench.</p> <p>Use the Seat Slider to loosen the exhaust and inflation mechanism covers as shown.</p>		
		<p>No tools needed this step</p>
<p>Remove the covers.</p>		

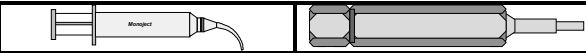
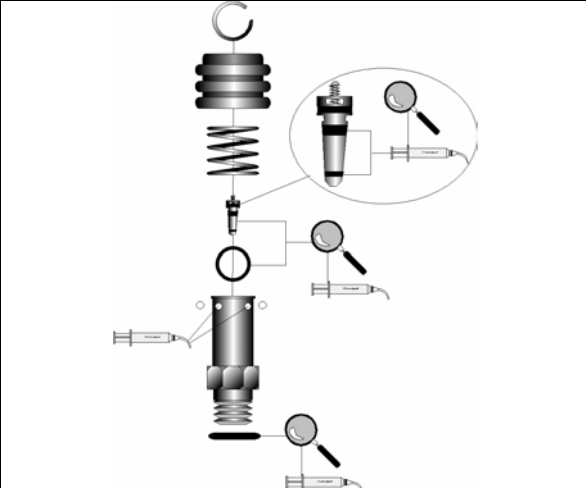
SCUBAPRO Balanced Power Inflator

	 <p style="text-align: center;">7/32"</p>
<p>Carefully loosen the 7/32" nut from the exhaust mechanism. The exhaust seat will be inspected and re-used except if it is worn.</p> <p>CAUTION: Hold pressure on the exhaust button while loosening to prevent the assembly from loss due to spring tension.</p>	
	
<p>Carefully loosen the inflator seat using a small standard screwdriver (5mm blade).</p> <p>CAUTION: Hold pressure on the inflator button while loosening to prevent the assembly from loss due to spring tension.</p>	
	
<p>Disassemble the quick disconnect hose fitting from the low-pressure hose using the Universal Tool and adjustable wrench.</p>	

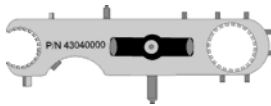

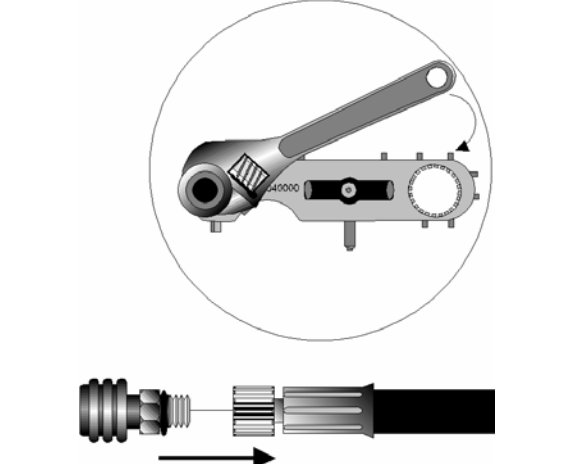



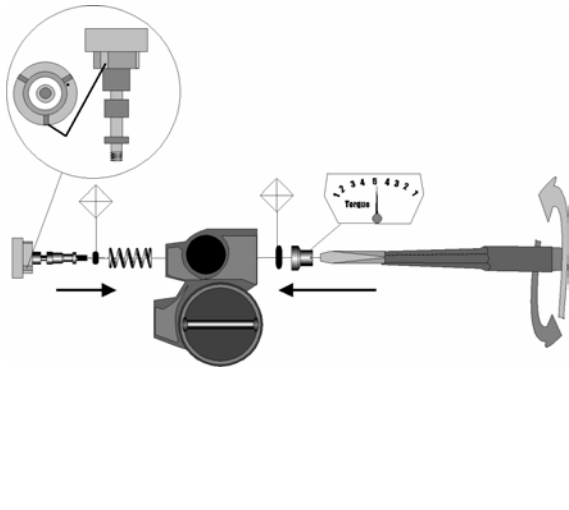
SCUBAPRO Balanced Power Inflator

	
<p>Push the quick disconnect sleeve down to reveal the retainer ring. Use a brass o’ring pick or similar tool to carefully remove the retainer ring.</p> <p>CAUTION: Release spring tension on the quick disconnect mechanism slowly to prevent loss of important components.</p>	




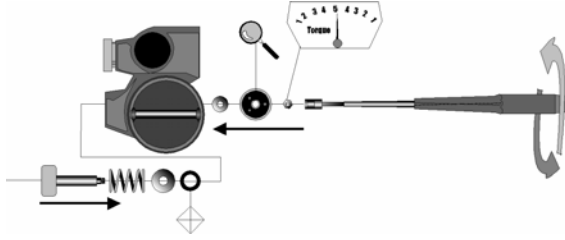

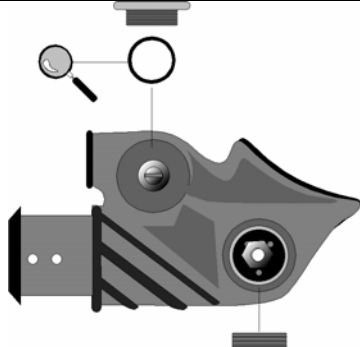


	
<p>Carefully remove the sleeve. Lift off the spring being cautious not to lose the bearings.</p> <p>Loosen the Schrader valve using a Schrader valve tool.</p> <p>Remove the rubber insert from inside the coupling barrel.</p>	

	
<p>Inspect the Schrader valve seating surfaces for corrosion and wear. Lubricate.</p> <p>Inspect and lubricate the rubber coupling barrel insert and hose fitting o’ring.</p> <p>Replace the bearings by placing a small amount of lubricant in each bearing hole. Carefully place each bearing and reassemble.</p>	




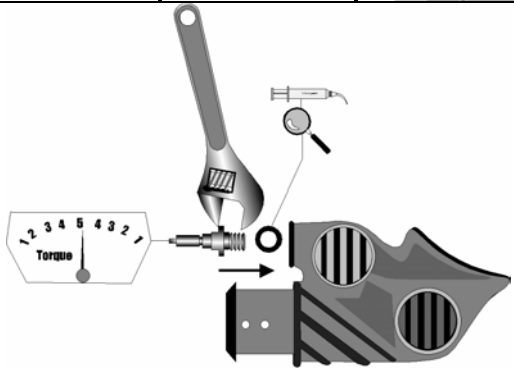

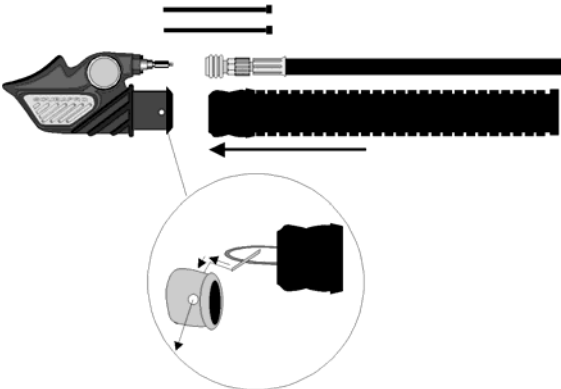

SCUBAPRO Balanced Power Inflator

			
<p>Reassemble the quick disconnect mechanism on to the low-pressure hose fitting.</p>			
<p>Replace and lubricate the dynamic stem o’ring (annual replacement).</p> <p>Replace the inflator seat (annual replacement).</p> <p>Reassemble the inflator mechanism into the inflator body. Note the alignment “ribs” on the underside of the inflator button. These should align with slots on the inflator body.</p> <p>Apply torque of 4.5 in-lbs/ 0.5 Newton-Meters</p>			
			

SCUBAPRO Balanced Power Inflator

			
<p>Replace and lubricate the dynamic stem o’ring (annual replacement).</p> <p>Inspect the exhaust seat for signs of wear. Replace if needed.</p> <p>Reassemble the exhaust mechanism into the inflator body.</p> <p>Tighten with 7/32” driver. Apply torque of 4.5 in-lbs/ 0.5 Newton-Meters</p>			
		<p>No tools needed this step</p>	
<p>Inspect the seal on the inflator cover. Lubricate lightly if needed.</p> <p>Replace the exhaust and inflator covers.</p>			
			
<p>Tighten the covers using the Seat Slider tool.</p> <p>CAUTION: Do not over-tighten the covers. Applying too much torque can cause the covers to break.</p>			

SCUBAPRO Balanced Power Inflator

			
<p>Inspect and lubricate the static (male) quick disconnect o’ring.</p> <p>Reassemble the fitting into the inflator body. Apply torque of 35 in-lbs/ 5 Newton-Meters</p>			
		<p>No tools needed this step</p>	
<p>Reassemble the Balanced Power Inflator on to the BC hose. Use tie-wraps or a special retainer to ensure that the inflator is leakproof and to ensure that the inflator cannot come off during use.</p> <p>If BC uses a pull dump cable, be certain to assemble the inflator pin through the cable loop at this time.</p> <p>CAUTION: The inflator MUST be secure in the inflator hose. Failure to ensure security can result in a dangerous condition causing the BC to deflate unexpectedly.</p>			
		<p>No tools needed this step</p>	
<p>Leak test the BC with the inflator firmly attached to the BC. A simple preliminary leak test can be performed by tightly inflating the BC and allowing it to stand for one hour. Inspect the BC and ensure that no air has been lost prior to using the unit in water.</p>	