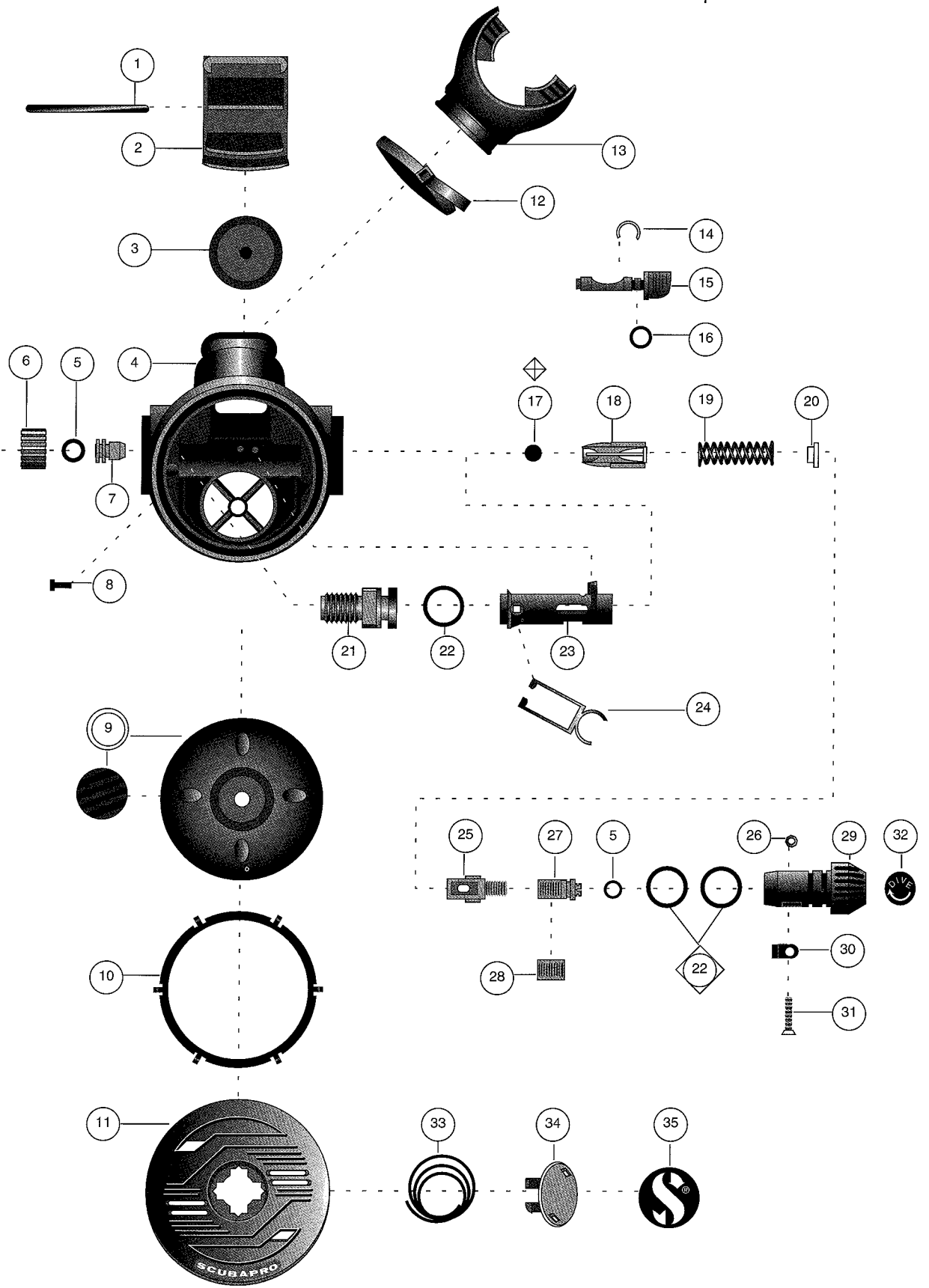


SCUBAPRO

Technical Service Schematic

M-50 SECOND STAGE 11-410-000
M-50 OCTOPUS 11-414-000

Date 12/97 Revision A
Annual Repair Parts Kit 11-370-041



SCUBAPRO

Technical Service Schematic

M-50 SECOND STAGE 11-410-000
M-50 OCTOPUS 11-414-000

Date 12/97 Revision A
 Annual Repair Parts Kit 11-370-041

PARTS

ITEM	QTY	PART NUMBER		DESCRIPTION	COST
		11-410-000	11-414-000		
1	1	11-190-106		PIN	
2	1	11-300-024		COVER, EXHAUST	
	1		11-300-034	COVER, EXHAUST, YELLOW	
3	1	11-250-103		VALVE, EXHAUST	
4	1	11-400-025		CASE, MOLDED	
5	2	01-050-132		O-RING	
6	1	11-250-106		NUT, JAM	
* 7	1	11-195-110		ORFICE, PLASTIC	
8	1	01-075-131		PIN, COVER RETAINING	
9	1	11-300-007		DIAPHRAGM ASSEMBLY	
10	1	11-190-117		SPACER RING	
11	1	11-370-029		COVER, FRONT	
	1		01-370-034	COVER, FRONT, YELLOW	
▲ 12	1	01-088-101		MOUTHPIECE STRAP, BLACK	
▲ 13	1	01-040-041		MOUTHPIECE, BLACK	
* 14	1	01-073-250		RETAINING RING, FLOW VANE	
15	1	11-300-023		FLOW VANE	
16	1	01-050-126		O-RING FLOW VANE, RED	
17	1	11-108-101		SEAT	
18	1	11-200-105		POPPET, DURO	
19	1	01-020-109		SPRING	
20	1	11-109-104		PAD, SPRING	
21	1	11-360-022		HOUSING, BRASS	
22	3	01-050-160		O-RING	
23	1	11-360-021		AIR BARREL, PLASTIC	
24	1	11-250-141		LEVER	
* 25	1	11-400-022		PAD, ADJUSTMENT, MALE	
26	1	01-121-218		NUT	
* 27	1	11-370-023		ADJUSTMENT NUT, FEMALE	
28	1	11-370-025		HALF ADJUST. NUT, FEMALE	
29	1	11-400-024		KNOB, ADJUSTMENT	
30	1	11-195-104		CAM LOBE	
31	1	01-101-136		SCREW	
32	1	01-006-762		DECAL, ADJUSTMENT KNOB	
33	1	01-020-110		SPRING, PURGE	
34	1	11-300-035		PURGE, BUTTON	
35	1	01-006-760		DECAL, PURGE, BLUE	
	1		01-006-764	DECAL, PURGE, YELLOW	
●	1	01-097-136		OCTO PLUG, GREY W/CLIP	
●			01-097-134	OCTO PLUG, YELLOW W/CLIP	

Technical Information:

The Annual Repair Parts Kit may contain O-rings used in the hose assembly. Refer to the separate hose schematic for identification.

Lubricate all threads with silicone grease to reduce long term corrosion and provide easier disassembly at the next service interval.

Special Engineering Notes:

Prior to installing the poppet, the orifice (item 7) should be backed away from the poppet to avoid damage to the poppet seat.

The flow vane retaining ring (item 14) has been changed from stainless to copper alloy. The stainless clips should be inspected annually for rust and replaced with the copper clip if rusted.

The post on the air barrel aligns and fits into a corresponding cavity inside the plastic regulator case. Be sure to lift up on the air barrel before trying to remove it from the case.

When adjusting spring tension with item 27, turning the slotted screw clockwise (when facing you) will REDUCE spring tension. Turning it counter-clockwise will INCREASE tension.

Legend:

- NOT SHOWN
- OPTIONAL ITEM
- ▲ LIMITED WARRANTY
- OLDER CONFIGURATION
- * SEE NOTE
- ◇ DYNAMIC O-RING-REPLACE ANNUALLY
- ◇ ANNUAL REPLACEMENT
- () TORQUE IN INCH-POUNDS
- ASSEMBLY