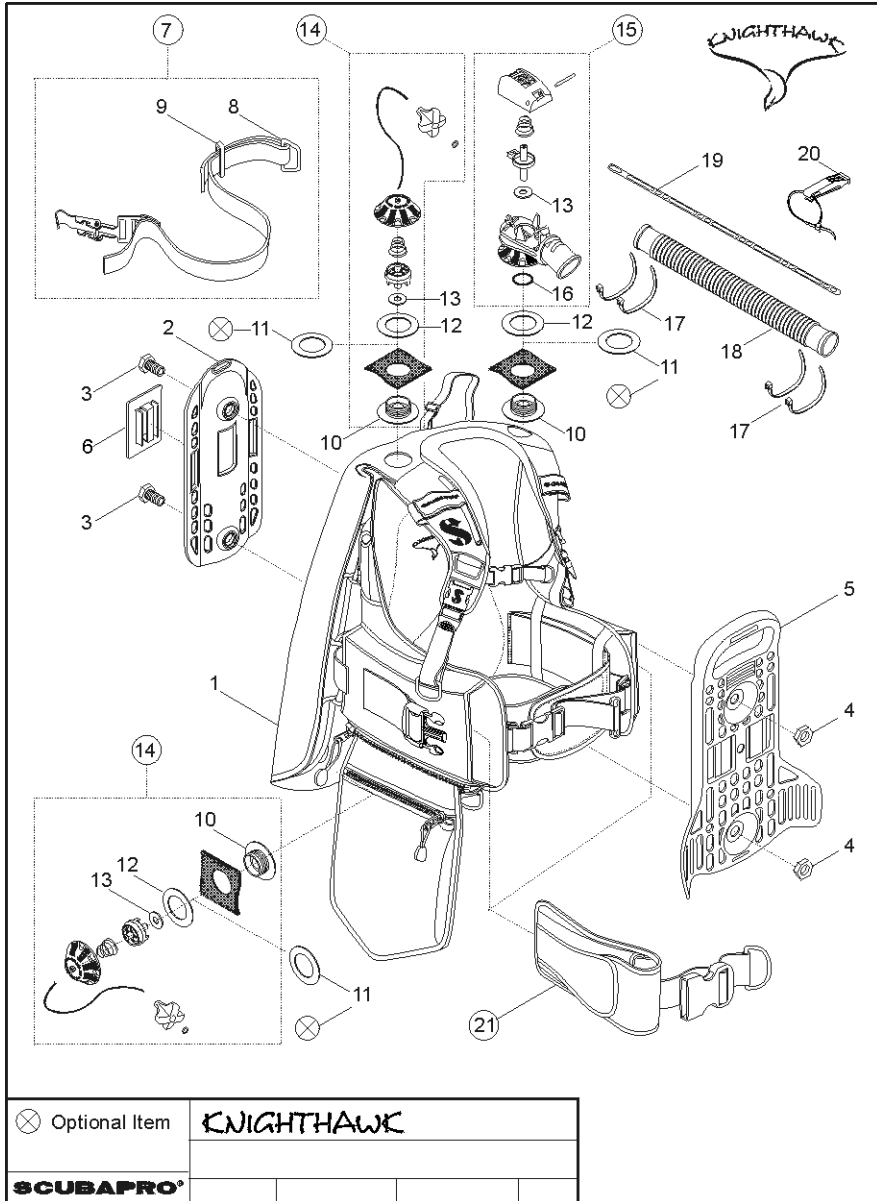


# Knighthawk Schematic Notes



Po.	Part #	Description
1	N/A	Main Assembly
2	21.180.102	Back Plate
3	21.180.106	Bushing Threaded
4	01.121.115	Nut
5	20.192.000	Back Pack
6	20.140.103	Tank Retainer
7	20.135.000	Band, Supercinch Assy.
8	01.080.126	Trapezoidal Ring
9	2000.1102	Looplock, Plastic
10	21.001.104	Body, Valve
11	01.070.304	Washer, Soft
12	21.001.105	Washer
13	21.001.128	Seal
14	21.200.003	Overpress. Valve
15	21.200.017	Pull Dump Valve Assy.
16	01.050.228	O-ring
17	01.088.101	Strap
18	01.030.111	Corrugated Hose 14"
19	21.001.144	Cable, Universal
20	21.200.065	Whistle Assy, Gray
21	23.702.000	Weight Pouch