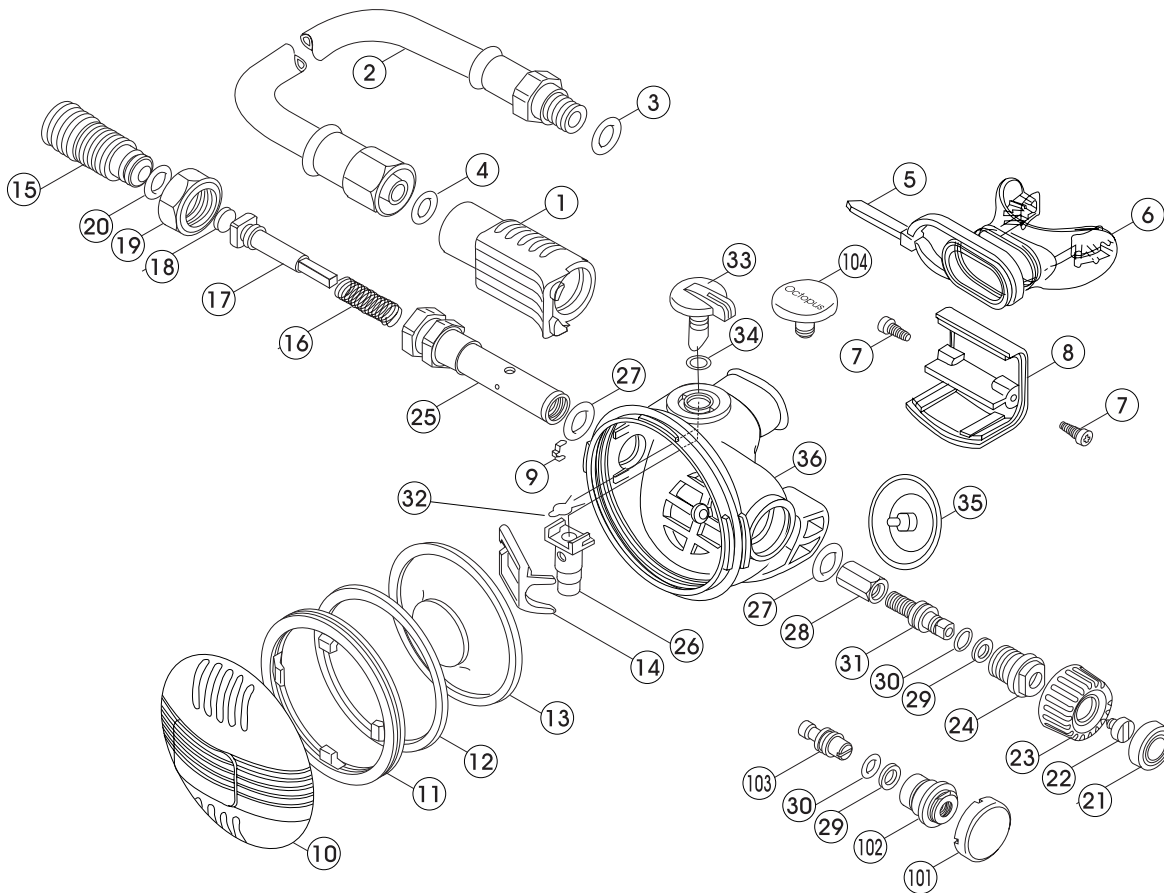


prestige 2nd standard

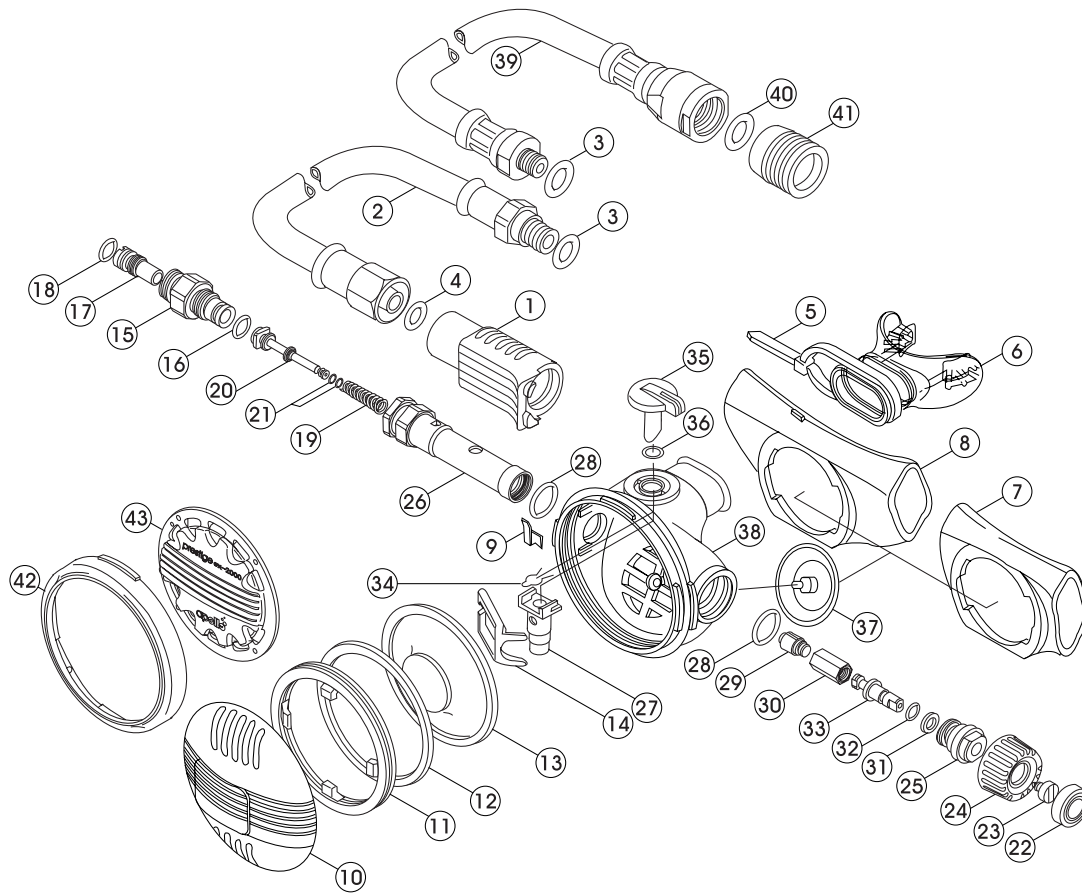


Parts #101 to #104 are only used in octopus units.

No.	Code	Descriptoin
1	3102080113	HOSE PROTECTOR
2a	3103983070	LP HOSE 70cm
2b	3113983090	LP HOSE 90cm
3	3993592011	O-RING ARP-011/HS75 (REGULATOR & B.C)
4	3993592010	O RING ARP-010/HS75
5	3992970100	NYLON CLAMP WT
6	3103100001	MOUTHPIETH PRESTIGE WT
7	3990100308	SCREW SUS M3X8
8	3102080107	EXHAUST COVER
9	3101180000	TOP COVER LOCK PRESTIGE
10a	2102021201	TOP COVER ASSY, PRESTIGE FPK
10b	2102023501	TOP COVER ASSY, PRESTIGE FYL
10c	2102056001	TOP COVER ASSY, PRESTIGE COBL
10d	2102070001	TOP COVER ASSY, PRESTIGE WT
10e	2102022501	TOP COVER ASSY, PRESTIGE FOG
10f	2102024501	TOP COVER ASSY, PRESTIGE FGN
10g	2102065001	TOP COVER ASSY, PRESTIGE PL
10h	2102080001	TOP COVER ASSY, PRESTIGE BK
11	3102080112	SNAP RING ABS BK
12	3102470003	COVER RING
13	3103070011	DIAPHRAGM PRESTIGE FOR REGULATOR
14	3101100083	DEMAND LEVER 2ND
15	3100103089	VALVE CONE
16	3101200011	CARRIER SPRING
17	3100103024	SEAT CARRIER FOR REGULATOR
18	3103080013	2ND STAGE VALVE SEAT
19	3100103025	LOCK NUT
20	3993592011	O-RING ARP-011/HS75 (REGULATOR & B.C)

No.	Code	Descriptoin
21a	3102021209	KNOB CAP FPK
21b	3102023509	KNOB CAP FYL
21c	3102056109	KNOB CAP COBL
21d	3102070109	KNOB CAP WT
21e	3102024509	KNOB CAP F.GN
21f	3102065009	KNOB CAP PL
21g	3102080109	KNOB CAP BK
22	3100103079	KNOB SCREW 2ND STAGE
23	3102080108	ADJUSTING KNOB
24	3100103078	BONNET FOR REGULATOR
25	3100103100	DEMAND VALVE HOUSING
26	3102080111	AIR FLOW TUBE
27	3993592015	O RING ARP-015/HS75 FOR REGULATOR
28	3100103076	ADJUST NUT FOR REGULATOR
29	3102400002	TEFLON WASHER FOR SS 2ND STAGE
30	3993392505	O-RING S-8/HS75 FOR B.C.
31	3100103077	ADJUST SHAFT
32	3990900002	CLIP
33	3102080110	AIR FLOW ADJUSTER
34	3993390504	O-RING S-4/HS50
35	3103070012	EXHAUST VALVE
36	3102080101	BOTTOM BOX, PRESTIGE
	3101200054	PURGE BUTTON SPRING
	3102080104	PARGE BOTTON FOR PRESTIGE
101	3102080114	ADJUST KNOB CAP OCT
102	3100103091	BONNET FOR OCT PRESTIGE
103	3100103092	ADJUST SHAFT FOR OCT PRESTIGE
104	3102080115	PLUG FOR OCT. 2ND ST

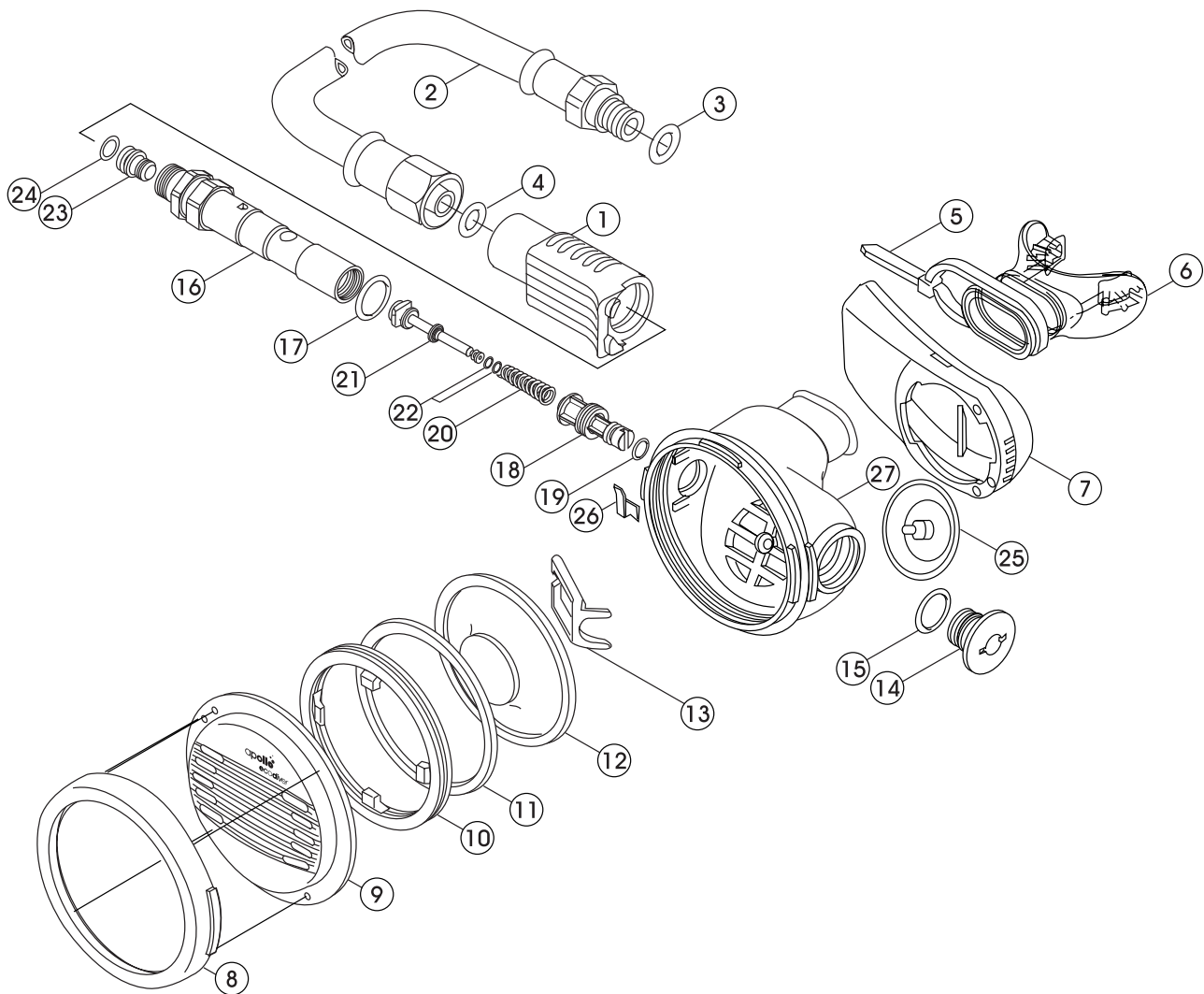
prestige 2nd balance



No.	Code	Descriptoin
1	3102080113	HOSE PROTECTOR
2a	3103983070	LP HOSE 70cm
2b	3113983090	LP HOSE 90cm
3	3993592011	O-RING ARP-011/HS75 (REGULATER & B.C)
4	3993592010	O RING ARP-010/HS75
5	3992970100	NYLON CLAMP WT
6	3103100001	MOUTHPIETH PRESTIGE WT
7	2102081006	EXHAUST TEE FOR OCTOPUS (BIO&PRESTIGE)
8	2102081004	EXHAUST TEE FOR REGULATOR (BIO&PRESTIGE)
9	3101180002	TOP COVER ROCK SPRING ED2R13 SUS304SP
10a	2102121201	TOP COVER ASSY,B PRESTIGE FPK
10b	2102122501	TOP COVER ASSY.B PRESTIGE FOG
10c	2102123501	TOP COVER ASSY.B PRESTIGE FYL
10d	2102124501	TOP COVER ASSY.B PRESTIGE FGN
10e	2102156001	TOP COVER ASSY : COBL PRESTIGE
10f	2102165001	TOP COVER ASSY (PL)
10g	2102170001	TOP COVER ASSY.B PRESTIGE WT
10h	2102180001	TOP COVER ASSY,B PRESTIGE BK
10i	2102180101	TOP COVER ASSY, PRESTIGE GF
11	3102080112	SNAP RING ABS BK
12	3102470003	COVER RING
13	3103070011	DIAPHRAGM PRESTIGE FOR REGULATOR
14	3101100084	DEMAND LEVER : FOR PRESTIGE 2ND
15	3100103102	VALVE CONE HOLDER B
16	3993592011	O-RING ARP-011/HS75 (REGULATER & B.C)
17	3100103101	VALVE CONE B
18	3993392504	O RING S-7/HS75
19	3101200017	CARRIER SPRING B PRESTIGE BALANCE
20	2100100014	VALVE SEAT/CARRIER ASSY - PRESTIGE
21	3993970001	O-RING/VALVE SEAT CARRIER B PRESTIGE-B

No.	Code	Descriptoin
22a	3102021209	KNOB CAP FPK
22b	3102023509	KNOB CAP FYL
22c	3102024509	KNOB CAP F.GN
22d	3102056109	KNOB CAP COBL
22e	3102065009	KNOB CAP PL
22f	3102070109	KNOB CAP WT
22g	3102080109	KNOB CAP BK
23	3100103079	KNOB SCREW 2ND STAGE
24	3102080108	ADJUSTING KNOB
25	3100103104	BONNET B PRESTIGE BALANCE
26	3100103103	VALVE HOUSING B PRESTIGE BALANCE
27	3102080111	AIR FLOW TUBE
28	3993592015	O RING ARP-015/HS75 FOR REGULATOR
29	3102080120	CYLINDER B PRESTIGE BALANCE
30	3100103106	NUT B PRESTIGE BALANCE
31	3102400002	TEFLON WASHER FOR SS 2ND STAGE
32	3993390504	O-RING S-4/HS50
33	3100103105	SHAFT B PRESTIGE BALANCE
34	3990900002	CLIP
35	3102080110	AIR FLOW ADJUSTER
36	3993390504	O-RING S-4/HS50
37	3103070012	EXHAUST VALVE
38	3102080300	BOTTOM CASE : FOR PRESTIGE 2ND
39a	2185004070	L.P. HOSE W/BALL JOINT FOR REGULATOR
39b	2185004090	L.P. HOSE W/BALL JOINT FOR OCT
40	3993592013	O RING ARP-013/HS75 FOR REGULATOR
41	3103080050	RUBBER PROTECTOR FOR REGULATOR (BIO&EX-2000)
42	3102036000	TOP COVER HOLDER
43	3102080150	TOP COVER

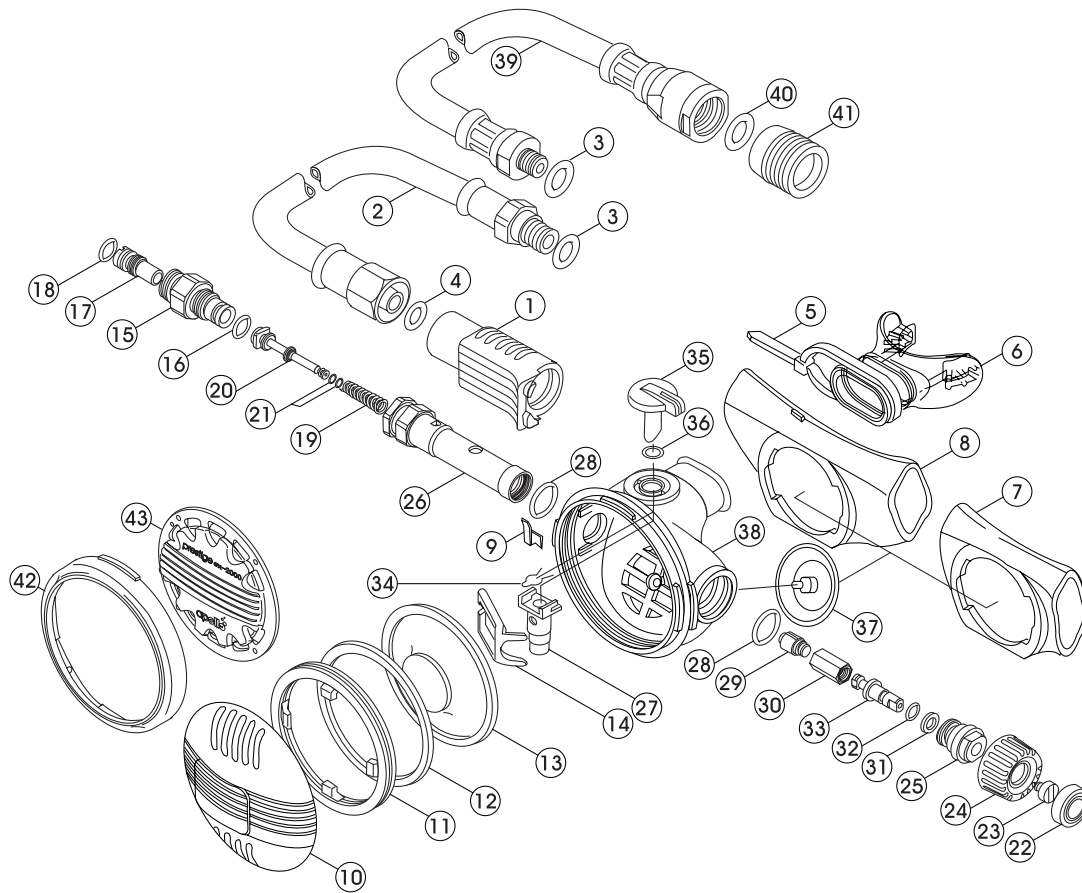
Ecodiver 2nd



No.	Code	Descriptoin
1	3102080113	HOSE PROTECTOR
2a	3103983070	LP HOSE 70cm
2b	3113983090	LP HOSE 90cm
3	3993592011	O-RING ARP-011/HS75 (REGULATOR & B.C)
4	3993592010	O RING ARP-010/HS75
5	3992970100	NYLON CLAMP WT
6	3103100001	MOUTHPIETH PRESTIGE WT
7	2102081005	EXHAUST TEE FOR ECODIVER REGULATOR
8a	3102021201	TOP COVER RIM (F.PK)
8b	3102023501	TOP COVER RIM (F.YL)
8c	3102056001	TOP COVER RIM (COBL)
8d	3102080091	TOP COVER RIM (BK)
9	3102080124	TOP COVER ECODIVER BK
10	3102080112	SNAP RING ABS BK
11	3102470003	COVER RING
12	3103070011	DIAPHRAGM PRESTIGE FOR REGULATOR

No.	Code	Descriptoin
13	3101100083	DEMAND LEVER 2ND
14	3102080122	SIDE CAP
15	3993592015	O RING ARP-015/HS75 FOR REGULATOR
16	3100103110	VALVE HOUSING ED2R04 C361B
17	3993592015	O RING ARP-015/HS75 FOR REGULATOR
18	3102080121	CYLINDER NEW ECODIVER
19	3993590008	O-RING ARP-008/HS50
20	3101200017	CARRIER SPRING B PRESTIGE BALANCE
21	2100100014	VALVE SEAT/CARRIER ASSY - PRESTIGE
22	3993970001	O-RING/VALVE SEAT CARRIER B PRESTIGE-B
23	3100103111	VALVE CONE ED2R05 C3601 B
24	3993592010	O RING ARP-010/HS75
25	3103070014	EXHAUST VALVE
26	3101180002	TOP COVER ROCK SPRING ED2R13 SUS304SP
27	3102080310	BOTTOM CASE : SPX-20 BK FOR ECO DIVER

prestige 2nd balance



No.	Code	Descriptoin
1	3102080113	HOSE PROTECTOR
2a	3103983070	LP HOSE 70cm
2b	3113983090	LP HOSE 90cm
3	3993592011	O-RING ARP-011/HS75 (REGULATER & B.C)
4	3993592010	O RING ARP-010/HS75
5	3992970100	NYLON CLAMP WT
6	3103100001	MOUTHPIETH PRESTIGE WT
7	2102081006	EXHAUST TEE FOR OCTOPUS (BIO&PRESTIGE)
8	2102081004	EXHAUST TEE FOR REGULATOR (BIO&PRESTIGE)
9	3101180002	TOP COVER ROCK SPRING ED2R13 SUS304SP
10a	2102121201	TOP COVER ASSY,B PRESTIGE FPK
10b	2102122501	TOP COVER ASSY.B PRESTIGE FOG
10c	2102123501	TOP COVER ASSY.B PRESTIGE FYL
10d	2102124501	TOP COVER ASSY.B PRESTIGE FGN
10e	2102156001	TOP COVER ASSY : COBL PRESTIGE
10f	2102165001	TOP COVER ASSY (PL)
10g	2102170001	TOP COVER ASSY.B PRESTIGE WT
10h	2102180001	TOP COVER ASSY,B PRESTIGE BK
10i	2102180101	TOP COVER ASSY, PRESTIGE GF
11	3102080112	SNAP RING ABS BK
12	3102470003	COVER RING
13	3103070011	DIAPHRAGM PRESTIGE FOR REGULATOR
14	3101100084	DEMAND LEVER : FOR PRESTIGE 2ND
15	3100103102	VALVE CONE HOLDER B
16	3993592011	O-RING ARP-011/HS75 (REGULATER & B.C)
17	3100103101	VALVE CONE B
18	3993392504	O RING S-7/HS75
19	3101200017	CARRIER SPRING B PRESTIGE BALANCE
20	2100100014	VALVE SEAT/CARRIER ASSY - PRESTIGE
21	3993970001	O-RING/VALVE SEAT CARRIER B PRESTIGE-B

No.	Code	Descriptoin
22a	3102021209	KNOB CAP FPK
22b	3102023509	KNOB CAP FYL
22c	3102024509	KNOB CAP F.GN
22d	3102056109	KNOB CAP COBL
22e	3102065009	KNOB CAP PL
22f	3102070109	KNOB CAP WT
22g	3102080109	KNOB CAP BK
23	3100103079	KNOB SCREW 2ND STAGE
24	3102080108	ADJUSTING KNOB
25	3100103104	BONNET B PRESTIGE BALANCE
26	3100103103	VALVE HOUSING B PRESTIGE BALANCE
27	3102080111	AIR FLOW TUBE
28	3993592015	O RING ARP-015/HS75 FOR REGULATOR
29	3102080120	CYLINDER B PRESTIGE BALANCE
30	3100103106	NUT B PRESTIGE BALANCE
31	3102400002	TEFLON WASHER FOR SS 2ND STAGE
32	3993390504	O-RING S-4/HS50
33	3100103105	SHAFT B PRESTIGE BALANCE
34	3990900002	CLIP
35	3102080110	AIR FLOW ADJUSTER
36	3993390504	O-RING S-4/HS50
37	3103070012	EXHAUST VALVE
38	3102080300	BOTTOM CASE : FOR PRESTIGE 2ND
39a	2185004070	L.P. HOSE W/BALL JOINT FOR REGULATOR
39b	2185004090	L.P. HOSE W/BALL JOINT FOR OCT
40	3993592013	O RING ARP-013/HS75 FOR REGULATOR
41	3103080050	RUBBER PROTECTOR FOR REGULATOR (BIO&EX-2000)
42	3102036000	TOP COVER HOLDER
43	3102080150	TOP COVER

